

F-bion 150 deflector 90°

Product number: 4043048

Configuration: white

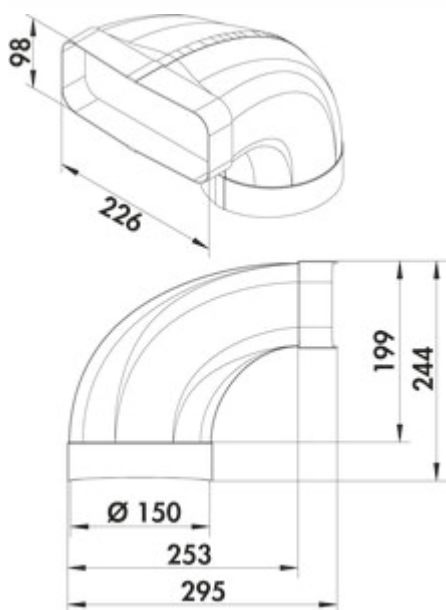
Configuration options

4043048 | white

- ✓ Connecting element
- ✓ Plug-in system for subsequent gluing

Energy efficient solution for extremely high performance hoods. For direct hood connection with integrated sleeve.

For the installation, please note the space needed due to the component size!



[more infos...](#)

Technical data

Article type	Connecting element	Shape	angular
Width	295 mm	Outer diameter	150 mm
Material	Polystyrene	System dimension	150
Mounting/Fixing	Plug-in system for subsequent gluing	Output drive	round
Note	For the installation, please note the space needed due to the component size	Ventilation system	COMPAIR flow 150

