

STEEL flow SF-VRO 150 flat duct



Product number: 4061004

Configuration: L 500 mm, galvanized steel

Configuration options

4061003 | L 1000 mm, galvanized steel

4061004 | L 500 mm, galvanized steel

✓ Ventilation pipe

✓ plug-in system

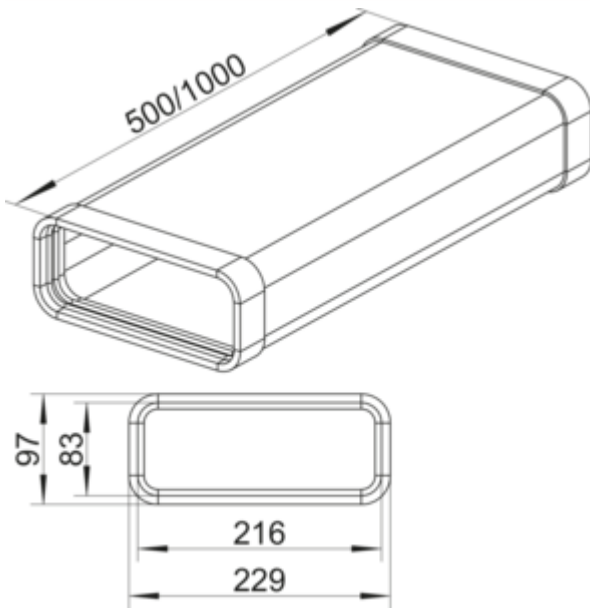
Ventilation pipe.

— can be shortened

— connection size metal duct 216 x 83 mm (with seal)

— 2 SF profile linings pre-assembled

— after removing the profile seal, connection to a flat plastic duct is possible



[more infos...](#)

Technical data

Article type	Ventilation pipe	Note	2 SF profile linings pre-assembled after removing the profile seal, connection to a flat plastic duct is possible
Brand	STEEL flow	Surface/coating	galvanised
Height	97 mm	Shape	angular
Width	500 mm	Outer diameter	150 mm
Material	galvanized steel	Output drive	angular
Properties	can be shortened	Ventilation system	COMPAIR STEEL flow® 150
Mounting/Fixing	plug-in system		

