

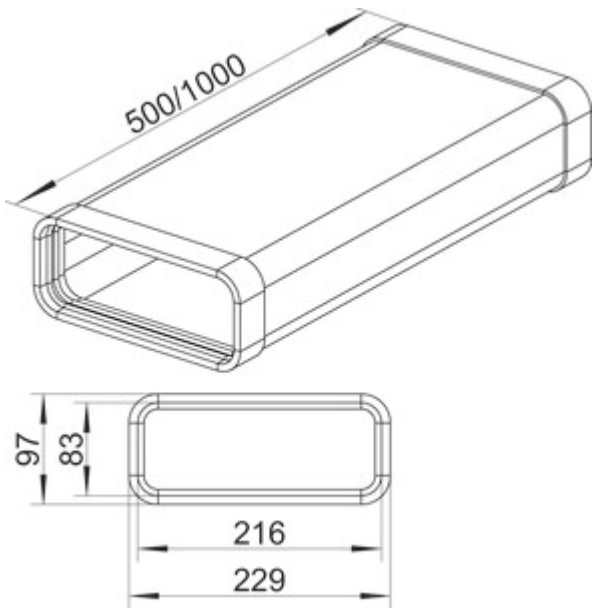
STEEL flow SF-VRO 150 flat duct



Product number: 4061004
 Configuration: L 500 mm, galvanized steel

Configuration options

- 4061003 | L 1000 mm, galvanized steel
- 4061004 | L 500 mm, galvanized steel



- ✓ Ventilation pipe
 - ✓ plug-in system
- Ventilation pipe.
- can be shortened
 - connection size metal duct 216 x 83 mm (with seal)
 - 2 SF profile linings pre-assembled
 - after removing the profile seal, connection to a flat plastic duct is possible

[more infos...](#)

Technical data

Article type	Ventilation pipe	Note	2 SF profile linings pre-assembled after removing the profile seal, connection to a flat plastic duct is possible
Brand	STEEL flow	Surface/coating	galvanised
Width	500 mm	Shape	angular
Material	galvanized steel	Outer diameter	150 mm
Properties	can be shortened	Output drive	angular
Mounting/Fixing	plug-in system	Ventilation system	COMPAIR STEEL flow [®] 150

Accessories

4061029	SF-VRO 150 support, Exhaust air accessorie, L 300 mm, galvanized steel
---------	--

