

STEEL flow SF 150 flat duct mount



Product number: 4061022

Configuration: galvanized steel

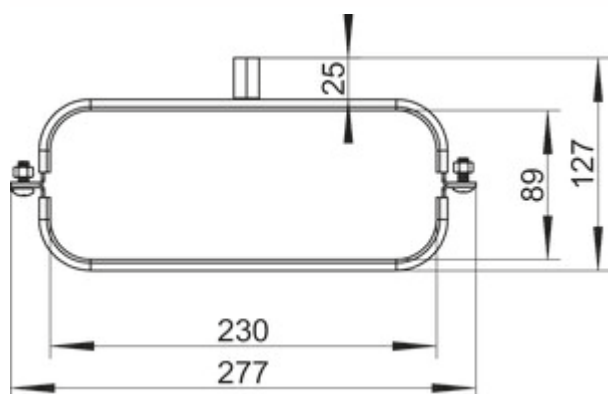
Configuration options

4061022 | galvanized steel

- ✓ Exhaust air accessorie
- ✓ installation in the wall
- ✓ plug-in system

For laying the flat ducts on ceilings and walls.

- with damping
- recommended distance between two mounts 500 mm
- suitable for flat ducts SF-VRO flex and SF-VRO



[more infos...](#)

Technical data

Article type	Exhaust air accessorie	Note	recommended distance between two mounts 500 mm
Brand	STEEL flow	Suitable for	suitable for flat ducts SF-VRO flex and SF-VRO
Warranty	5-year Naber warranty (except for wear parts); the general warranty conditions of Naber GmbH apply.	Surface/coating	galvanised
Width	277 mm	Shape	angular
Material	galvanized steel	Outer diameter	150 mm
Mounting/Fixing	installation in the wall plug-in system	Ventilation system	COMPAIR STEEL flow® 150

