

## Corno Piu PR4

Product number: 1013112

Configuration: stainless steel

### Configuration options

1013112 | stainless steel

1041132 | set (sink and Fuoco 1 faucet)



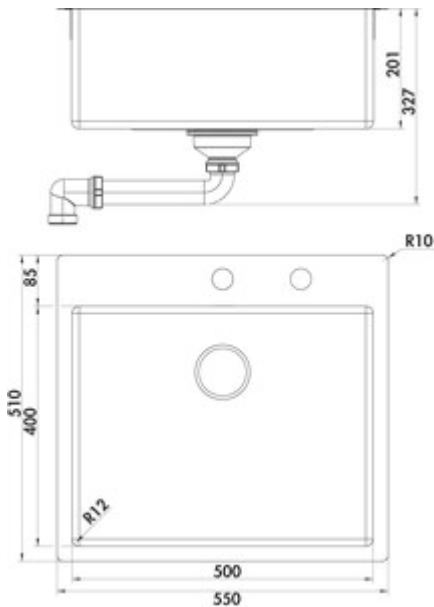
- ✓ Built-in sink
- ✓ Flush mounted sink
- ✓ Eccentric set, stainless steel

Built-in sink. Single bowl. 3½" basket valve with push-button excenter fitting in stainless steel and basket strainer valve flush with the bottom.

Flat edge: also suitable for flush installation

— suitable for worktop thicknesses from 10 mm to 40 mm

— cut-out dimensions ca. 535 x 495 mm (built-in sink)



[more infos...](#)

### Technical data

Article type	Sink	Flushing radius (R)	10
Width	550 mm	Maximum worktop material thickness	40 mm
Material	stainless steel	Material thickness worktop minimum	10 mm
Cabinet width	600 mm	Number of tap holes	1
Cut-out dimension	approx. 535 x 495 mm (built-in sink)	Armature bench	Yes
Excenter fitting	Eccentric set, stainless steel	Number of holes	1
Valve type	3 1/2" flush bottom strainer basket valve	Number of sinks	1 main sink
Overflow	Overflow in the main basin	Number of overflow points	1
Installation variant	Built-in sink Flush mounted sink	Sound insulation	Yes
Main sink width	500 mm	Garnish actuation	Push-button eccentric stainless steel
Height main sink	201 mm	Pelvic inner radius (R)	12
Depth main sink	400 mm		

**Accessories**

1013044	Drip tray large, Accessory, stainless steel
1013043	Drip tray small, Accessory, stainless steel
1013045	Cutting board made of plastic, white
1013041	Filo dish drainer, Accessory, stainless steel

**Spare Parts**

1014045	Rotational knob excenter fitting, Accessory, stainless steel, for Corno Piu PR 2–4
---------	--

**Recommendations**

5011320	Fuoco 1, Sink faucet, chrome, high pressure
1111141	Stainless steel system care, Cleaning agent,
1111142	Stainless steel cleaning agent Utral, Cleaning agent, 250 ml
1111143	Stainless steel care agent Edelglanz, Cleaning agent, 250 ml



