



## PRIME flow P-RBV 150 pipe bend 90°

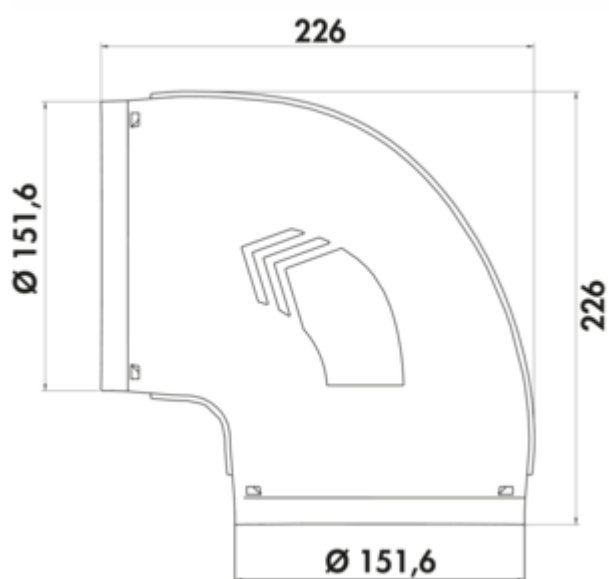
Product number: 4051025

Configuration: light grey

### Configuration options

4051025 | light grey

- ✓ Connecting element
- ✓ N-click system with integrated latching elements
- N-Klick system for secure connection with the universal connector
- with optimised guide vanes
- improved flow technology



[more infos...](#)

### Technical data

Article type	Connecting element	Mounting/Fixing	N-click system with integrated latching elements
Brand	PRIME flow	System dimension	150
Height	226 mm	Output drive	round
Width	226 mm	Ventilation system	COMPAIR PRIME flow®

