

SERVIZIO Namor® 3

Product number: 5025006

Configuration: black matt, with laminar aerator, high pressure

Configuration options

- 5025005 | stainless steel, with laminar aerator, high pressure
- 5025006 | black matt, with laminar aerator, high pressure
- 5025015 | stainless steel, without laminar aerator, low pressure
- 5025016 | black matt, without laminar aerator, low pressure
- 5025044 | gunmetal, with laminar aerator, high pressure

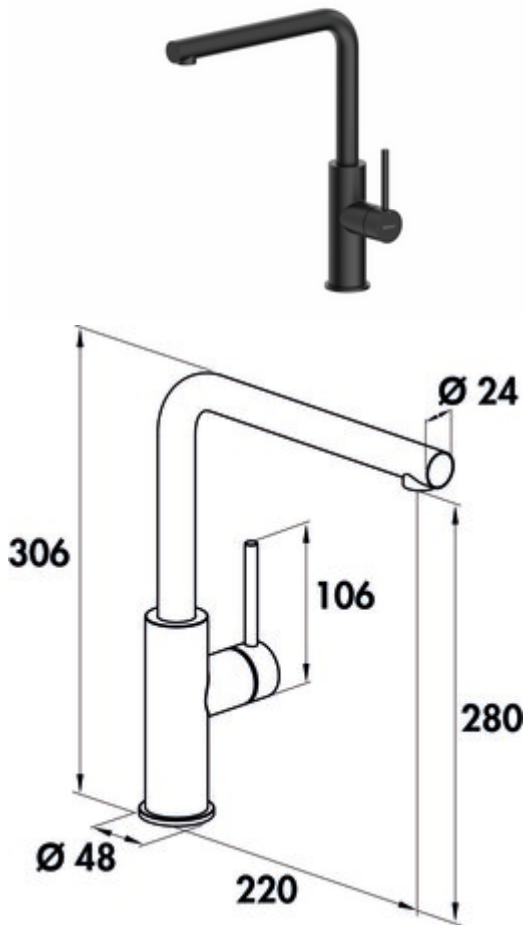
- ✓ Sink faucet
- ✓ high pressure
- ✓ with swivelling outlet

Single lever faucet. With swivelling outlet, side lever and ceramic cartridge.

— swivel range 120°

— drill Ø 35 mm

— corresponds to the German and European drinking water regulation/directive


[more infos...](#)

Technical data

| | | | |
|--------------------------------------|------------------------|-----------------------------|-----------------------------------|
| Article type | Sink faucet | Type of fitting | Single lever faucet |
| Brand | SERVIZIO | Operating pressure | high pressure |
| Number of handles | 1 | Width | 48 mm |
| Total installation height | 306 mm | Material | stainless steel |
| Height | 306 mm | Surface/coating | powder coated |
| Outreach | 220 mm | Swivel range handle | 0 ° |
| Outlet | with swivelling outlet | Cartridge size | 25 mm |
| Discharge height | 280 mm | ECO function | energy-saving cold start function |
| Operating mode | Lever | Max. Flow rate at 3 bar | 12,5 l/min |
| Drilling diameter | 35 mm | Flow rate at 3 bar (cold) | 9,5 l/min |
| Handle position | side lever | Flow rate at 3 bar (hot) | 9,5 l/min |
| Lever length | 106 mm | Flow rate at 3 bar (mix) | 12,5 l/min |
| Cartridge with ceramic sealing discs | Yes | Size laminar flow regulator | M18,5x1 |
| Swivel range outlet | 120° | Connection hoses | 700 mm |

