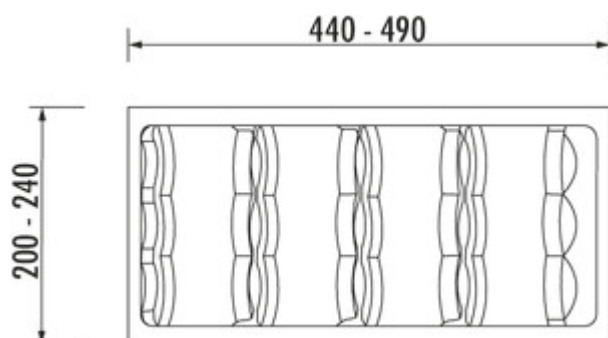


Spice pot insert

Product number: 8034069
 Configuration: W 240, D 490 mm

Configuration options
 8034069 | W 240, D 490 mm



- ✓ Cutlery insert
- ✓ Cabinet width: 300 mm
- ✓ can be shortened

For 300 mm drawers. For spice pots in 12-part set; small or large pots may be used.

Pots are inserted aslant.

- colour silver-grey
- edge may be shortened
- H 50 mm

[more infos...](#)

Technical data

Article type	Cutlery insert	Cabinet width	300 mm
Width	240 mm	Max. number of cans that can be used	12
Material	plastic	Drawer width	for 300 mm drawer width
Properties	can be shortened		