



Mira corner small 1

Product number: 7053093

Configuration: stainless steel

Configuration options

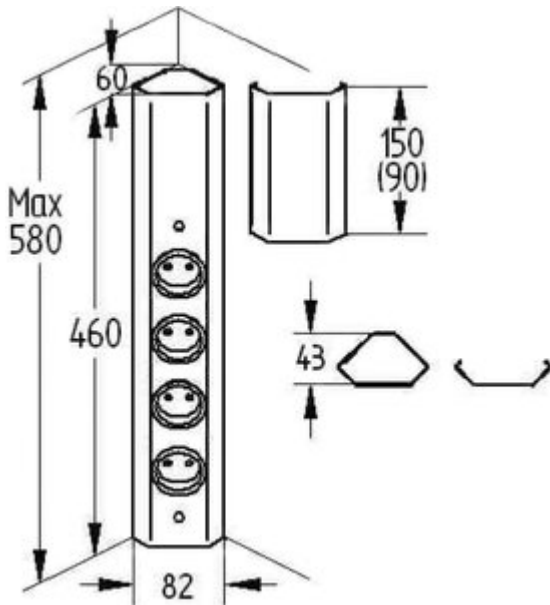
7053093 | stainless steel

7053237 | black matt

- ✓ Corner socket element
- ✓ 4 x earthed plug socket
- ✓ angular

Socket element. 4-fold.

- housing in a compact design with telescopic intermediate piece
- 240 V/16 A
- 460–580 x 59 x 59 mm (H x W x D)
- 2000 mm mains connection line, earthing contact plug enclosed loosely
- cable outlet back top



[more infos...](#)

Technical data

Article type	Socket element	Shape	angular
Width	82 mm	Length of the supply line (primary)	2.000 mm
Mains voltage	240 V/16 A	Telescopic function	with telescopic intermediate piece
Cable outlet	cable outlet back top	Version sockets	4 x earthed plug socket
Properties	rust-free	Mains plug loosely enclosed	Yes
Mounting/Fixing	Corner mounting	Colour socket	black
Material housing	stainless steel	Type of socket element	Corner socket element
Certification	CE	Number of sockets (total)	4