

Standard S3

Product number: 1016042

Configuration: stainless steel

Configuration options

1016042 | stainless steel

- ✓ Built-in sink
 - ✓ 1½" drain and spillover valve
 - ✓ Plug valve
- Built-in sink. With draining surface, reversible. 1½" drain and spillover fittings, incl. spill-over in the draining surface.
- suitable for worktop thicknesses from 30 mm to 40 mm
 - cut-out dimensions ca. 840 x 415 mm



[more infos...](#)

Technical data

Article type	Sink	Height main sink	150 mm
Width	860 mm	Depth main sink	335 mm
Material	stainless steel	Flushing radius (R)	7
Cabinet width	450 mm	Maximum worktop material thickness	40 mm
Cut-out dimension	approx. 840 x 415 mm	Material thickness worktop minimum	30 mm
Excenter fitting	1½" drain and spillover valve	Armature bench	Yes
Valve type	Plug valve	Arrangement sinks	Reversible
Overflow	Overflow in the drainer	Number of sinks	1 main sink
Installation variant	Built-in sink	Number of overflow points	1
Main sink width	365 mm	Draining board	With ribbed draining surface

Accessories

1016050	Chopping board, solid beech, 350 x 380 mm
---------	---

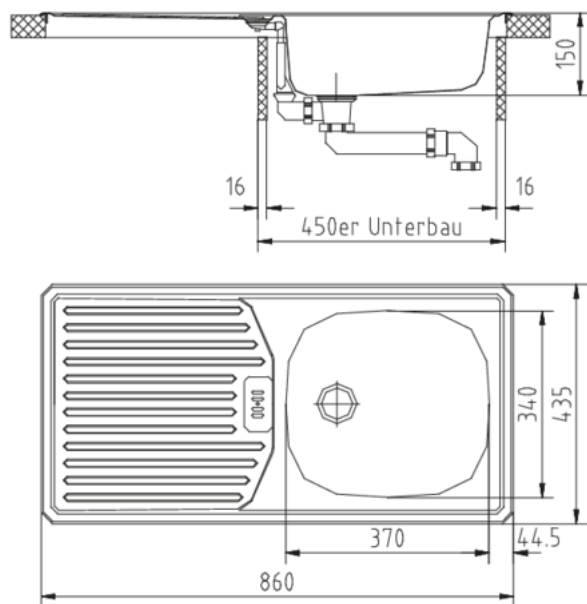
Spare Parts

1016041	Drain and spillover valve, Accessory, 1½", for Standard S3
---------	--

Recommendations

1111141	Stainless steel system care, Cleaning agent,
1111143	Stainless steel care agent Edelglanz, Cleaning agent, 250 ml
1111142	Stainless steel cleaning agent Utral, Cleaning agent, 250 ml

Dimensional sketch (PDF)



Zul. Abw. f. Maße ohne Toleranzangabe General tolerances DIN ISO 2768m		Maße in mm Dimensions in millimeters	Weitergabe und Verwertigung, sowie Vervielfältigung und Mitteilung dieser Zeichnung ist nicht gestattet, soweit nicht ausdrücklich erlaubt. Alle Rechte vorbehalten!		Maßstab Scale 1:1	Menge Quantity 1
-		⊕	Datum Date 17.02.15	Name Name cg	Rohstoff/Raw material Edelstahl	
-			Naber GmbH Enschedestr. 24 48529 Nordhorn 0049-(0)5921-704-0		Benennung/Designation Standard S3 Einbauspüle	
-					Sachnummer/Part-No. 1012042	
Ausg. Issuè	Änderung Modification	Datum Date	Name Name			

