

Standard S3

Product number: 1016042
Configuration: stainless steel

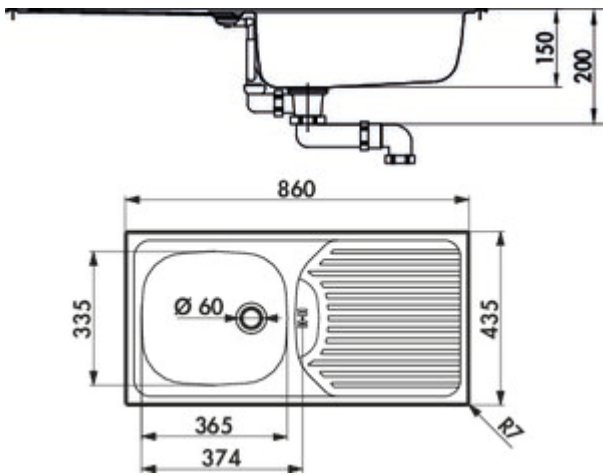
Configuration options
1016042 | stainless steel



- ✓ Built-in sink
- ✓ 1½" drain and spillover valve
- ✓ Plug valve

Built-in sink. With draining surface, reversible. 1½" drain and spillover fittings, incl. spill-over in the draining surface.

- suitable for worktop thicknesses from 30 mm to 40 mm
- cut-out dimensions ca. 840 x 415 mm



[more infos...](#)

Technical data

Article type	Sink	Height main sink	150 mm
Width	860 mm	Depth main sink	335 mm
Material	stainless steel	Flushing radius (R)	7
Cabinet width	450 mm	Maximum worktop material thickness	40 mm
Cut-out dimension	approx. 840 x 415 mm	Material thickness worktop minimum	30 mm
Excenter fitting	1½" drain and spillover valve	Armature bench	Yes
Valve type	Plug valve	Arrangement sinks	Reversible
Overflow	Overflow in the drainer	Number of sinks	1 main sink
Installation variant	Built-in sink	Number of overflow points	1
Main sink width	365 mm	Draining board	With ribbed draining surface

Accessories

1016050 Chopping board, solid beech, 350 x 380 mm

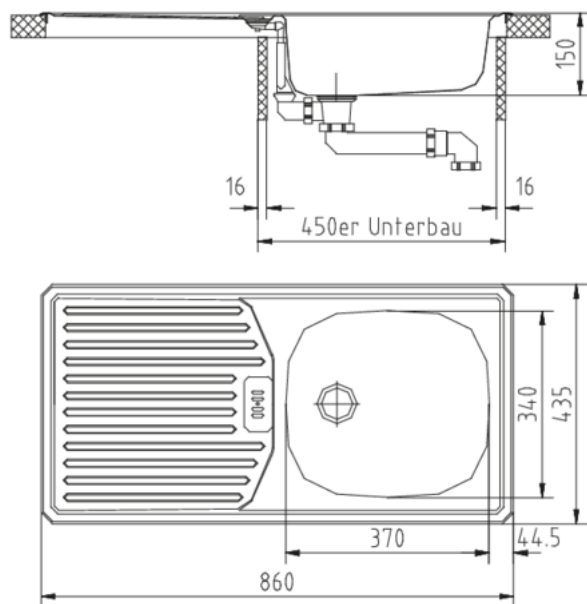
Spare Parts

1016041 Drain and spillover valve, Accessory, 1½", for Standard S3

Recommendations

1111141	Stainless steel system care, Cleaning agent,
1111143	Stainless steel care agent Edelglanz, Cleaning agent, 250 ml
1111142	Stainless steel cleaning agent Utral, Cleaning agent, 250 ml

Dimensional sketch (PDF)



Zul. Abw. f. Maße ohne Toleranzangabe General tolerances DIN ISO 2768m		Maße in mm Dimensions in millimeters	Weitergabe und Verantwortlichg., sowie Verwertung und Mittelung dieser Zeichnung ist nicht gestattet, soweit nicht ausdrücklich erlaubt. Alle Rechte vorbehalten!		Maßstab Scale 1:1	Menge Quantity 1
					Rohstoff/Raw material Edelstahl	
-	-	-	Datum Date 17.02.15	Name Name cg	Benennung/Designation Standard S3 Einbauspüle	
			Naber GmbH Enschedestr. 24 48529 Nordhorn 0049-(0)5921-704-0		Sachnummer/Part-No. 1012042	
Ausg. Issuè	Änderung Modification	Datum Date	Name Name			

