



## Adjusting pipe

Product number: 1051018

Configuration: white

### Configuration options

1051018 | white

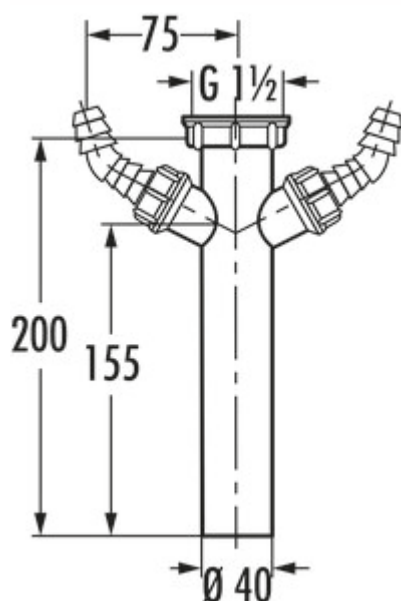
#### ✓ Drain pipe

With two threaded hose joints for connection of drain hoses of washing machines or dishwashers.

— L 200 mm

— 1 ½"

— Ø 40 mm



[more infos...](#)

### Technical data

Article type	Drain pipe	Intended use	For the waste water hose of washing machines or dishwashers
Width	200 mm	Thread	1 ½"
Diameter	40 mm	Diameter/nominal width (DN)	Ø 40 mm