

Mira corner small USB A

Product number: 7053094
Configuration: stainless steel

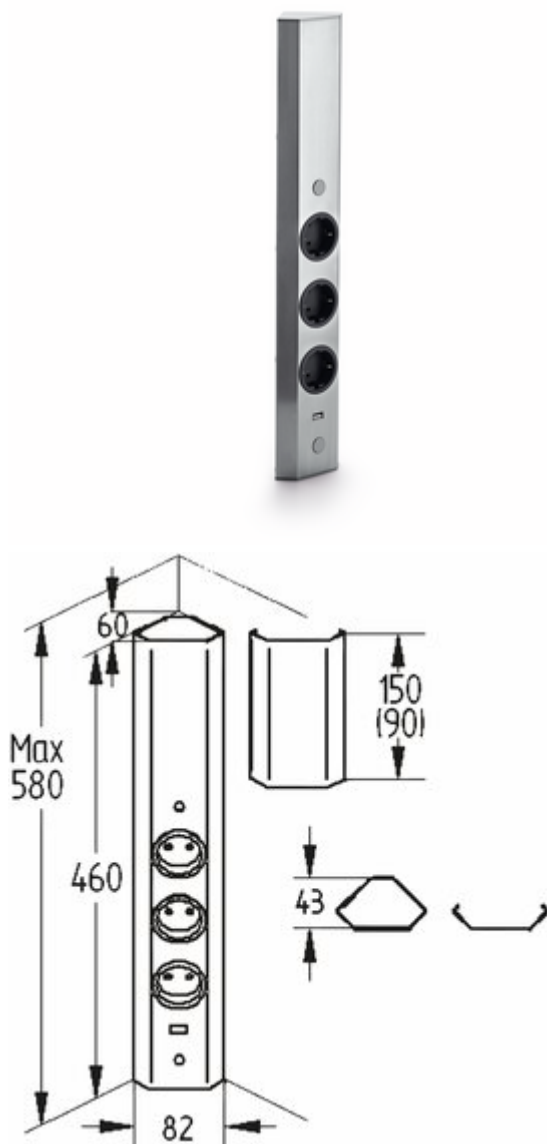
Configuration options

7053094 | stainless steel

- ✓ Built-in socket element
- ✓ 3 x earthed plug socket
- ✓ angular

Socket element. 3-fold.

- stainless steel housing in a compact design with telescopic intermediate piece
- 240 V/16 A
- 460–580 x 59 x 59 mm (H x W x D)
- 1 x USB charger type A, 5 VDC, out: 1000 mA
- 2000 mm mains connection line, earthed plug supplied loose
- cable outlet back top



[more infos...](#)

Technical data

Article type	Socket element	Version sockets	3 x earthed plug socket
Width	82 mm	Housing colour	Stainless steel
Mains voltage	240 V/16 A	Mains plug loosely enclosed	Yes
Cable outlet	cable outlet back top	Colour socket	black
Mounting/Fixing	Corner mounting	Number of USB ports	1
Material housing	stainless steel	USB type	USB-A
Certification	CE	Total charging current	1000 mA
Shape	angular	Type of socket element	Built-in socket element
Length of the supply line (primary)	2.000 mm	Number of sockets (total)	3
Telescopic function	with telescopic intermediate piece	USB version	1 x USB charger type A, 5 VDC, out: 1000 mA