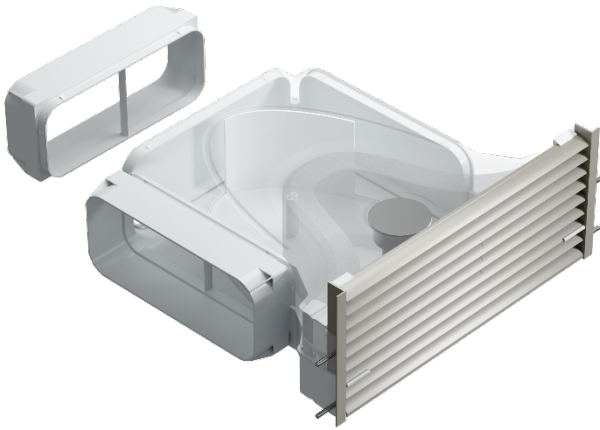


GREENflow filter box (4043073, 4043075)



Description:

Circulating air filter system for filtration of the cooking fumes when using a downdraft hood/hob extractor.

Advantages:

- high flexibility in terms of configuration
- suitable for base heights from 100 – 150 mm
- guide vanes distribute air flow evenly
- usable with or without activated carbon filter
- simple maintenance/access
- optional supporting foot (load capacity ≤ 300 kg)
- aerodynamically optimised grid
- high-quality ventilation grid (aluminium)
- flame-retardant (B1)
- maximum cross-section of the outlet enables hardly perceptible air movement when using several boxes

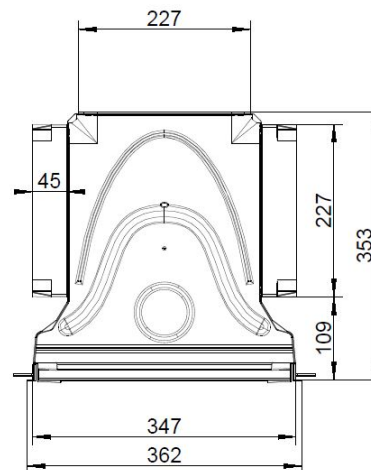
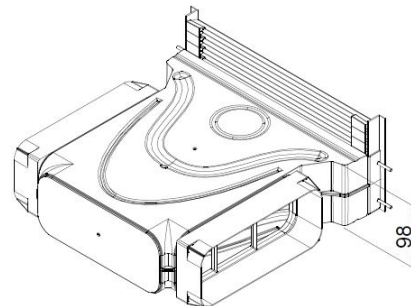
Note/recommendation:

The GREENflow OMEGA filter needs to be ordered separately if required.

For a good ventilation result, the use of at least two boxes is recommended.

Please follow the assembly instructions!

Dimensions:

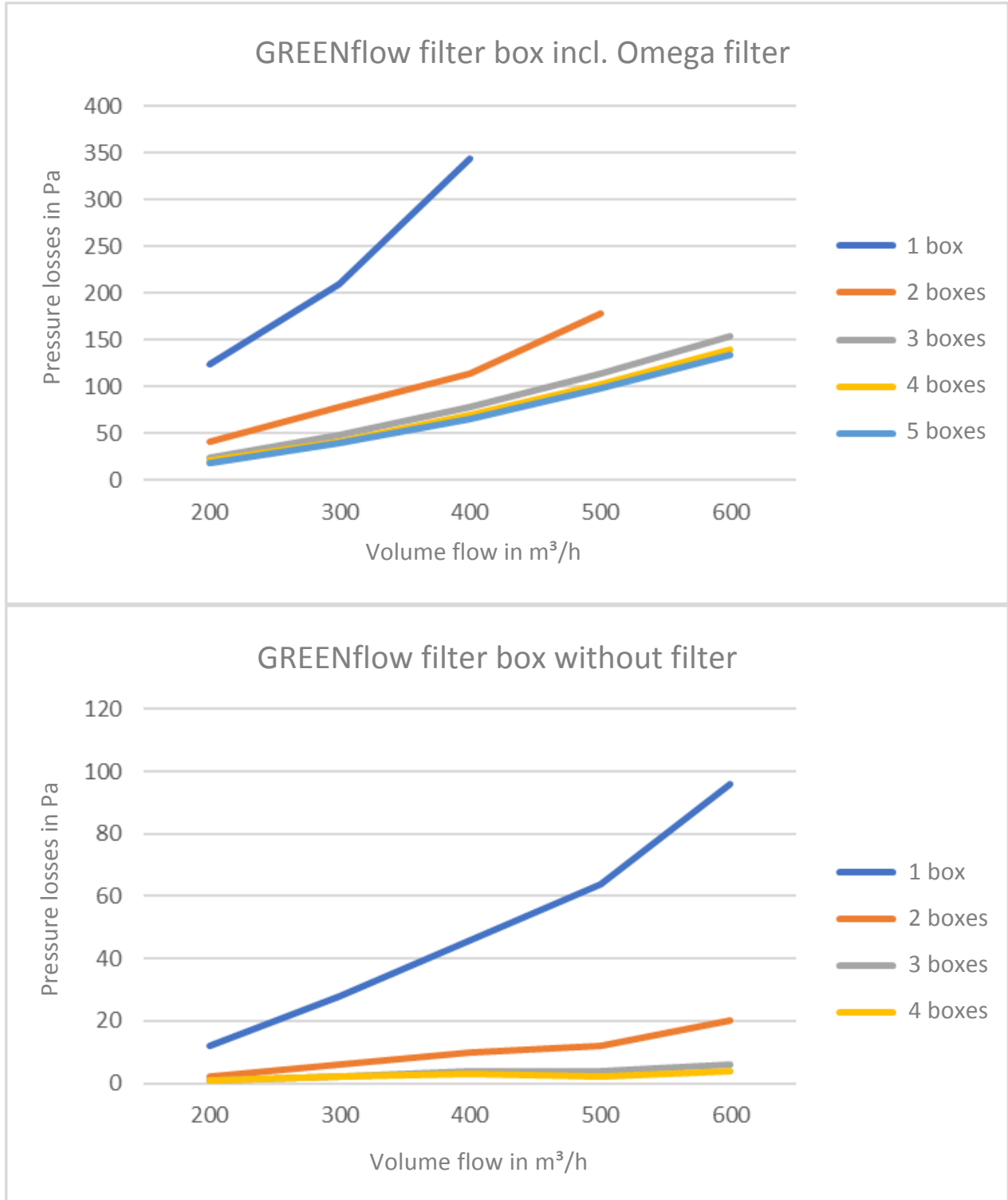


Further information at:

<https://www.naber.de/en-greenflow-filter-box-s13616/>

GREENflow filter box (4043073, 4043075)

Pressure losses:



GREENflow filter box (4043073, 4043075)

