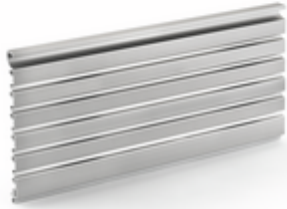


## PRIME flow Presa ventilation grid

Product number: 4041016

Configuration: H 100 mm, ventilation shaft approx. 163.2 cm<sup>2</sup>/m, stainless steel col., anodised



### Configuration options

4041016 | H 100 mm, ventilation shaft approx. 163.2 cm<sup>2</sup>/m, stainless steel col., anodised

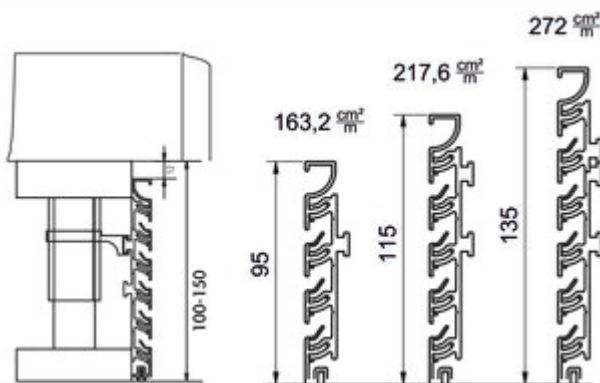
4041017 | H 130 mm, ventilation shaft approx. 217,6 cm<sup>2</sup>/m, stainless steel col., anodised

4041018 | H 150 mm, ventilation shaft approx. 272 cm<sup>2</sup>/m, stainless steel col., anodised

4041216 | H 100 mm, ventilation shaft approx. 163,2 cm<sup>2</sup>/m, black matt

4041217 | H 130 mm, ventilation shaft approx. 217,6 cm<sup>2</sup>/m, black matt

4041218 | H 150 mm, ventilation shaft approx. 272 cm<sup>2</sup>/m, black matt



✓ Ventilation grid

✓ surface mounting

Aluminium slatted grille.

— length 2400 mm

— 10 mm LED Flexstrips can be used in the top profile slats

— can be shortened in length and height

— incl. 8 mounting brackets

[more infos...](#)

### Technical data

Article type	Ventilation grid	Surface/coating	anodised
Brand	PRIME flow	Ventilation cross-section approx.	163,2 cm <sup>2</sup>
Width	2.400 mm	Shape	angular
Material	aluminium	System dimension	150
Properties	can be shortened	Ventilation system	COMPAIR PRIME flow®
Mounting/Fixing	surface mounting		

### Accessories

4041021	Base corner plates, Corner plate, H 150 mm, stainless steel coloured
4041020	Base corner plates, Corner plate, H 130 mm, stainless steel coloured
4041019	Base corner plates, Corner plate, H 100 mm, stainless steel coloured
4041219	Base corner plates, Corner plate, H 100 mm, matt black
4041220	Base corner plates, Corner plate, H 130 mm, matt black
4041221	Base corner plates, Corner plate, H 150 mm, matt black