

## Mira KST1

Product number: 7053047  
Configuration: stainless steel

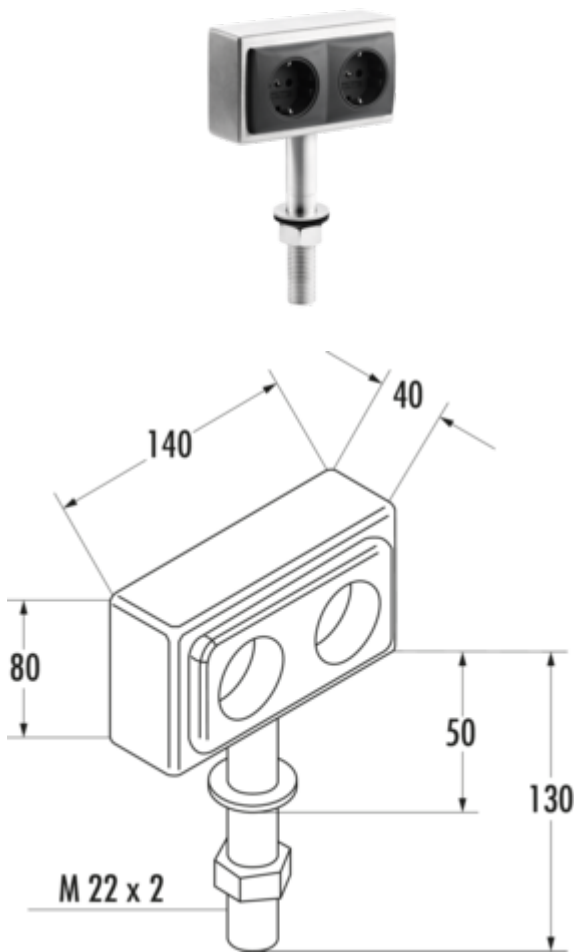
### Configuration options

7053047 | stainless steel

- ✓ Socket element for kitchen islands
- ✓ 2 x earthed plug socket
- ✓ angular

Socket element. 2-fold. For cooking islands. Edges welded and milled.

- 240 V/16 A
- drill Ø ca. 23 mm
- 1500 mm mains connection line without earthing contact plug
- cable outlet below



[more infos...](#)

### Technical data

Article type	Socket element	Shape	angular
Height	210 mm	Length of the supply line (primary)	1.500 mm
Drilling diameter	23 mm	Version sockets	2 x earthed plug socket
Width	140 mm	Housing colour	Stainless steel
Mains voltage	240 V/16 A	Mains plug loosely enclosed	No
Cable outlet	cable outlet below	Colour socket	black
Properties	rust-free	Type of socket element	Socket element for kitchen islands
Mounting/Fixing	on the worktop	Number of sockets (total)	2
Certification	CE		