

## Model 40

Product number: 3021097

Configuration: stainless steel, H 185 mm, tube Ø 35 mm

### Configuration options

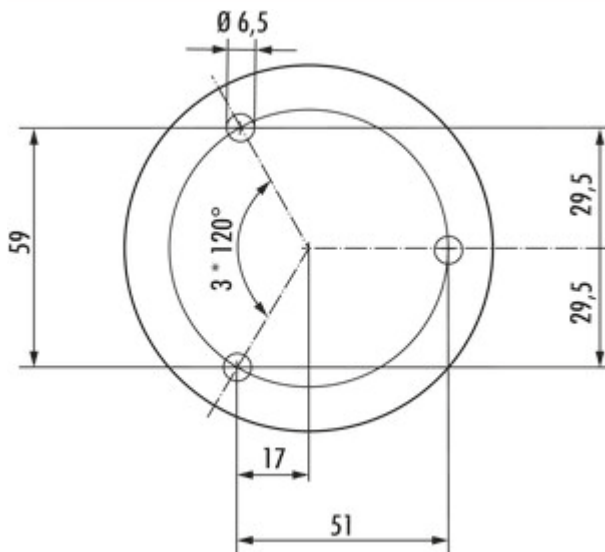
3021097 | stainless steel, H 185 mm, tube Ø 35 mm

- ✓ Console
- ✓ Material: stainless steel
- ✓ round

Console.

— max. load per pair approx. 40 kg given even distribution, max. spacing of the consoles of 900 mm and max. projection of the plates of 250 mm

When using the glass adapter disk (3021056) bonding should be carried out by a glazier.



[more infos...](#)

### Technical data

Article type	Console	Carrying capacity	max. load per pair approx. 40 kg given even distribution, max. spacing of the consoles of 900 mm and max. projection of the plates of 250 mm
Width	230 mm	Inclination angle	45°
Material	stainless steel	Tube dimension	Ø 35 mm
Note	When using the glass adapter disk (3021056) bonding should be performed by a glazier.	Diameter bearing surface	90 mm
Shape	round	Support element version	slanted

### Accessories

3021056	Glass adapter disk, Accessory, stainless steel, Ø 90 mm
---------	---

Dimensional sketch (PDF)

