

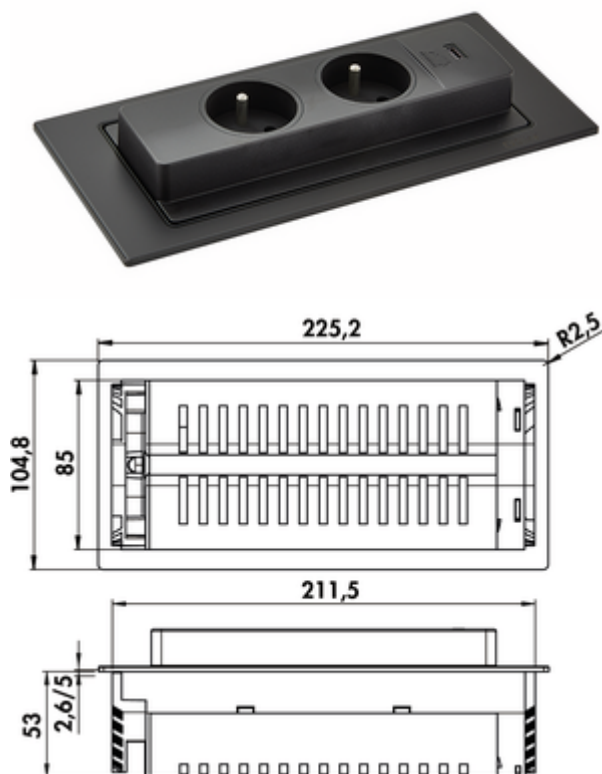
Evoline® BackFlip USB C

Product number: 8031270

Configuration: with Belgian/French sockets, flush-mount H 2,6 mm, painted black

Configuration options

- 8031186 | with earthed plug sockets, stainless steel
- 8031187 | with earthed plug sockets, painted black
- 8031188 | with earthed plug sockets, flush-mount H 5 mm, glass black
- 8031270 | with Belgian/French sockets, flush-mount H 2,6 mm, painted black
- 8031271 | with Belgian/French sockets, flush-mount H 2,6 mm, stainless steel
- 8031272 | with Belgian/French sockets, flush-mount H 5 mm, glass black
- 8031273 | with Swiss sockets, flush-mount H 2,6 mm, stainless steel
- 8031274 | with Swiss sockets, flush-mount H 2,6 mm, painted black
- 8031275 | with Swiss sockets, flush-mount H 5 mm, glass black
- 8031279 | with earthed plug sockets, flush-mount H 5 mm, glass black matt



- ✓ Built-in socket element
- ✓ 2 x with Belgian/French socket
- ✓ angular

Socket element. 2-fold. Rotating with USB C charger (base station).

- installation depth 53 mm
- cut-out dimensions ca. 215 x 88 mm
- 1 x USB charger type C, 5 VDC, I/A/I out: 2100 mA
- 2500 mm mains connection line, earthing contact plug enclosed loosely
- flush-mountable
- cable outlet back left



[more infos...](#)

Technical data

Article type	Socket element	Flush mountable	Yes, H 2.6 mm
Width	225,2 mm	Mains plug loosely enclosed	Yes
Cable outlet	cable outlet back left	Colour bezel	painted black
Properties	rotatable	Colour socket	black
Mounting/Fixing	installation on the worktop	Cover/blind type	Electric
Material fascia	plastic	Number of USB ports	1
Certification	CE TÜV	USB type	USB-C
Cut-out dimension	approx. 215 x 88 mm	Type of socket element	Built-in socket element
Shape	angular	Number of sockets (total)	2
Length of the supply line (primary)	2.500 mm	Opening mechanism	Push-to-open
Installation depth	53 mm	USB version	1 x USB charger type C, 5 VDC, I/A/I out: 2100 mA
Version sockets	2 x with Belgian/French socket		