

LineUP 2E

Product number: 1091041
Configuration: white glossy

Configuration options

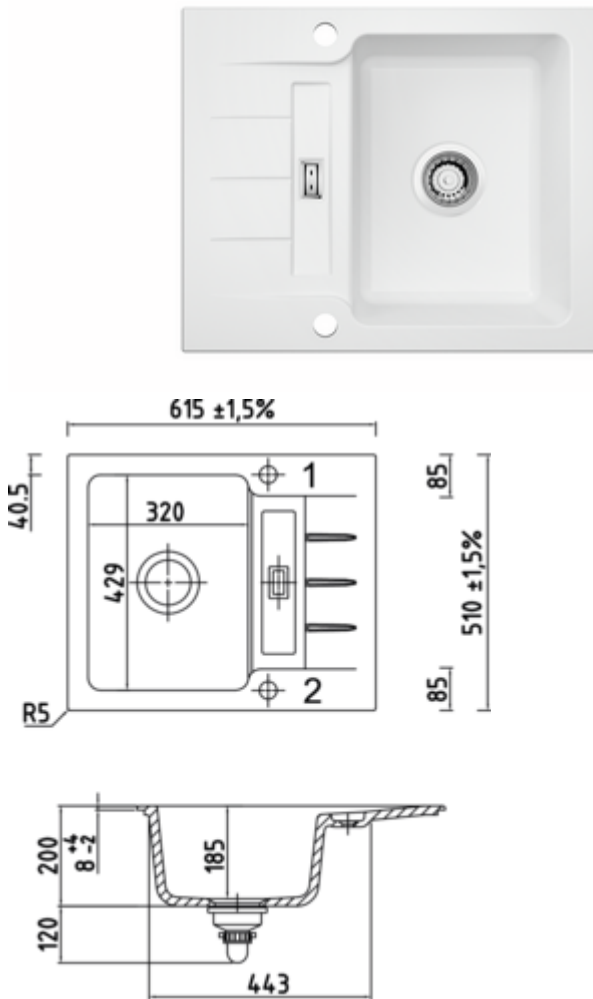
1091041 | white glossy
1091042 | slate
1091043 | nero
1091044 | lava
1091045 | white matt

- ✓ Built-in sink
- ✓ ceramic
- ✓ Eccentric set, chrome-plated

Built-in sink. Ceramic, single bowl with small draining surface, reversible, 3½" basket strainer valve flush with premium rotational excenter fitting, chromed, drill hole 1 + 2 drilled through.

- suitable for worktop thicknesses from 30 mm
- cut-out approx. 585 x 480 mm, R 5 mm

Design by Hans Winkler Design, Grafenau.



[more infos...](#)

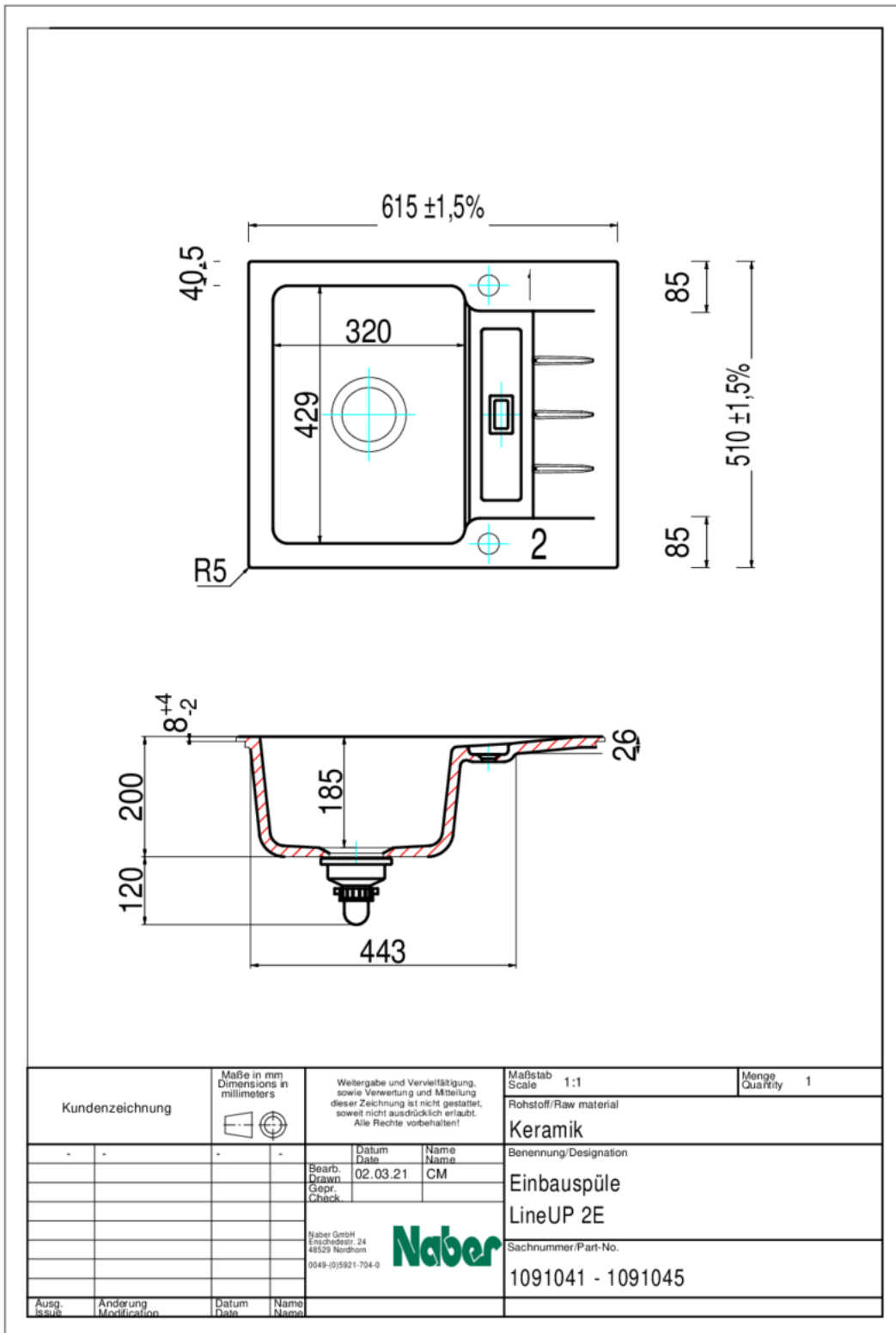
Technical data

Article type	Sink	Height main sink	185 mm
Height	320 mm	Depth main sink	429 mm
Width	615 mm	Flushing radius (R)	5
Material	ceramic	Material thickness worktop minimum	30 mm
Designer	Design by Hans Winkler Design, Grafenau.	Number of tap holes	1
Cabinet width	500 mm	Armature bench	Yes
Cut-out dimension	approx. 585 x 480 mm, R 5 mm	Number of holes	2
Surface/coating	glossy	Arrangement sinks	Reversible
Excenter fitting	Eccentric set, chrome-plated	Number of sinks	1 main sink
Valve type	3½" basket strainer valve flush	Number of overflow points	1
Overflow	Overflow in the drainer	Draining board	With ribbed draining surface
Installation variant	Built-in sink	Garnish actuation	Chrome-plated rotary eccentric
Main sink width	320 mm		

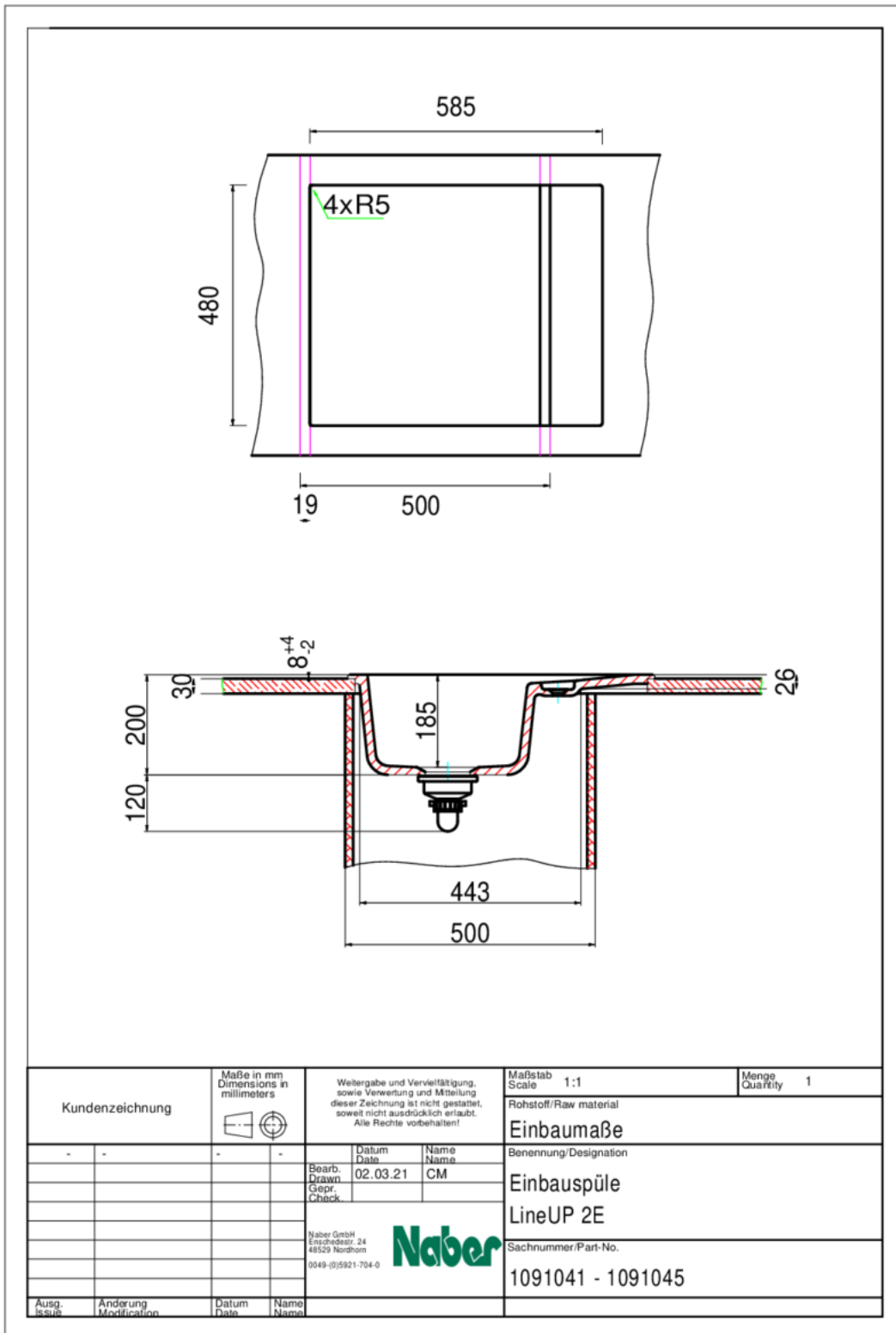
Recommendations

5011252	Arco 2, Sink faucet, chrome, high pressure
5011320	Fuoco 1, Sink faucet, chrome, high pressure
1091027	Premium rotational excenter, Accessory, nero
1091036	Premium rotational excenter, Accessory, chrome
1091037	Premium rotational excenter, Accessory, stainless steel

Dimensional sketch (PDF)



Installation dimensions (PDF)



Kundenzeichnung		Maße in mm Dimensions in millimeters	Weitergabe und Vervielfältigung, sowie Verwertung und Mitteilung dieser Zeichnung ist nicht gestattet, soweit nicht ausdrücklich erlaubt. Alle Rechte vorbehalten!		Maßstab Scale 1:1	Menge Quantity 1
-	-	-	-	Datum Date 02.03.21	Rohstoff/Raw material Einbaumaße	
				Name Name CM	Benennung/Designation Einbauspüle LineUP 2E	
				Sachnummer/Part-No. 1091041 - 1091045		
Ausg. Issus	Anderung Modification	Datum Date	Name Name			