

## PRIME flow P-MAS 150 wall connector



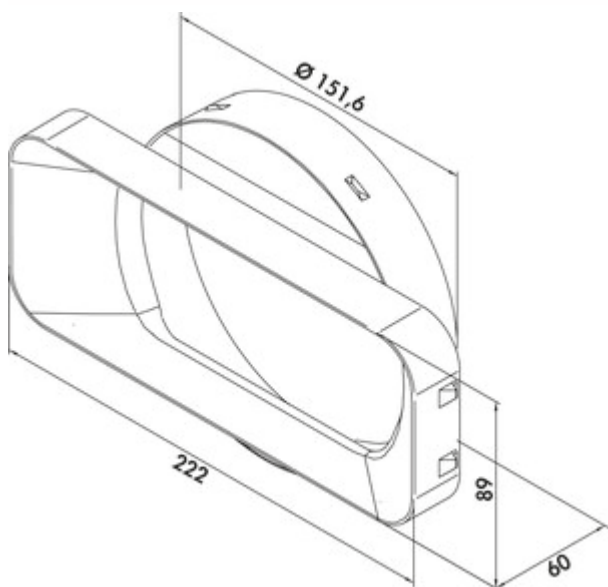
Product number: 4051020

Configuration: light grey

### Configuration options

4051020 | light grey

- ✓ Connecting element
- ✓ N-click system with integrated latching elements
- N-Klick system for secure connection with the universal connector
- adapter for connecting flat duct pipe and flat duct bends to P-MRBS 150 wall connector pipe set



[more infos...](#)

### Technical data

Article type	Connecting element	System dimension	150
Brand	PRIME flow	Output drive	angular round
Width	222 mm	Ventilation system	COMPAIR PRIME flow®
Mounting/Fixing	N-click system with integrated latching elements		

### Accessories

4051004	P-UVB 150 universal connector, Connecting element, light grey		
---------	---	--	--

