

## STEEL flow SF-VEST 150 offsetting end piece



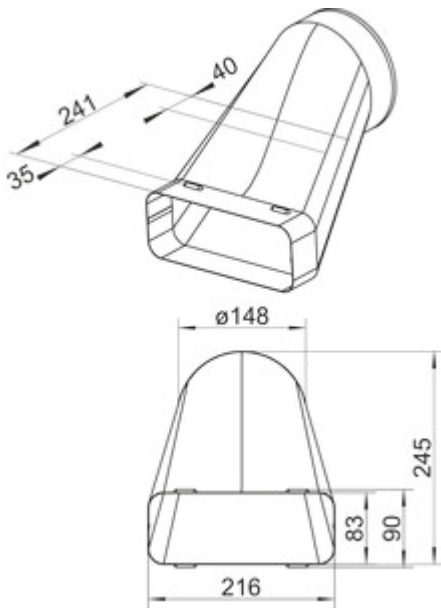
Product number: 4061028

Configuration: galvanized steel

### Configuration options

4061028 | galvanized steel

- ✓ Connecting element
- ✓ plug-in system
- Ø 148 mm (connection size inside)
- use when connecting downdraft hoods
- enables space-saving exhaust air guidance when using base ventilators
- suitable for flat ducts SF-VRO flex and SF-VRO



[more infos...](#)

### Technical data

Article type	Connecting element	Surface/coating	galvanised
Brand	STEEL flow	Shape	angular
Warranty	5-year Naber warranty (except for wear parts); the general warranty conditions of Naber GmbH apply.	Outer diameter	150 mm
Width	214 mm	Connection diameter	148 mm
Material	galvanized steel	System dimension	150
Mounting/Fixing	plug-in system	Output drive	round
Note	use when connecting downdraft hoods enables space-saving exhaust air guidance when using base ventilators	Ventilation system	COMPAIR STEEL flow® 150
Suitable for	suitable for flat ducts SF-VRO flex and SF-VRO		

