



## Cippo

Product number: 3013041  
 Configuration: stainless steel, H 195 mm

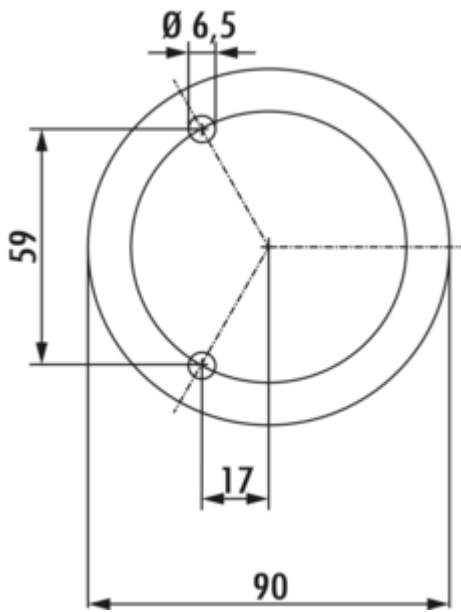
### Configuration options

3013040 | stainless steel, H 145 mm  
 3013041 | stainless steel, H 195 mm

- ✓ Base leveller
- ✓ Material: stainless steel
- ✓ round

Base leveller. With washer, may be shortened. Suitable for supporting foot Colonna.

- tube-Ø 45 mm
- 10 mm height adjustment
- load-bearing capacity ca. 200 kg



[more infos...](#)

### Technical data

|                     |                               |                          |            |
|---------------------|-------------------------------|--------------------------|------------|
| Article type        | Base leveller                 | Dimensions profile       | Ø 45 mm    |
| Height              | 195 mm                        | Carrying capacity        | ca. 200 kg |
| Material            | stainless steel               | Tube dimension           | Ø 45 mm    |
| Properties          | can be shortened<br>rust-free | Diameter bearing surface | 90 mm      |
| Shape               | round                         | Height adjustment        | 10 mm      |
| With mounting plate | Yes                           | Support element version  | straight   |

### Recommendations

|         |   |
|---------|---|
| 3013044 | Colonna, Support foot, stainless steel, H 1055 mm |
| 3013073 | Colonna, Support foot, stainless steel, H 1160 mm |

Dimensional sketch (PDF)

