

Patera 40

Product number: 1091101

Configuration: slate

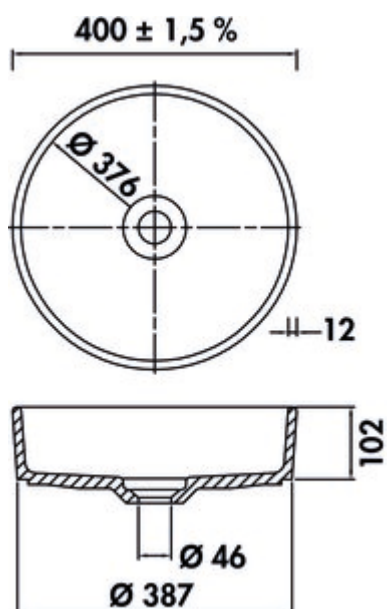
Configuration options

1091100 | white glossy

1091101 | slate

1091102 | nero

- ✓ wash basin
 - ✓ ceramic
 - ✓ incl. drain with ceramic cover
- Top mounted washbasin round. Ceramics.
- incl. drain with ceramic cover
 - cut-out approx. Ø 357 mm
 - bowl can not be closed



[more infos...](#)

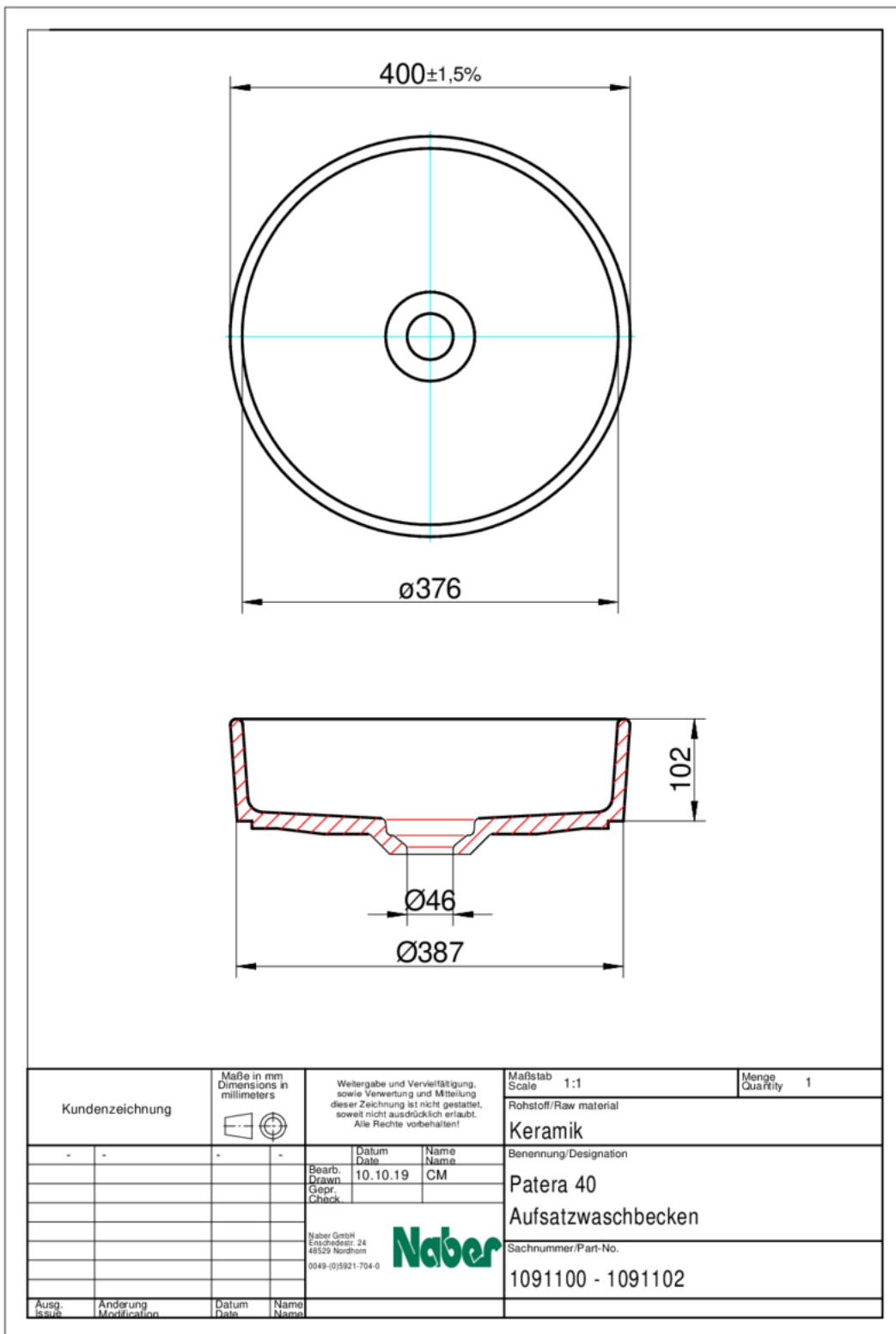
Technical data

Article type	Sink	Valve type	bowl can not be closed
Width	387 mm	Installation variant	wash basin
Material	ceramic	Main sink width	376 mm
Cabinet width	500 mm	Depth main sink	376 mm
Cut-out dimension	approx. Ø 357 mm	Armature bench	No
Excenter fitting	incl. drain with ceramic cover	Number of sinks	1 main sink

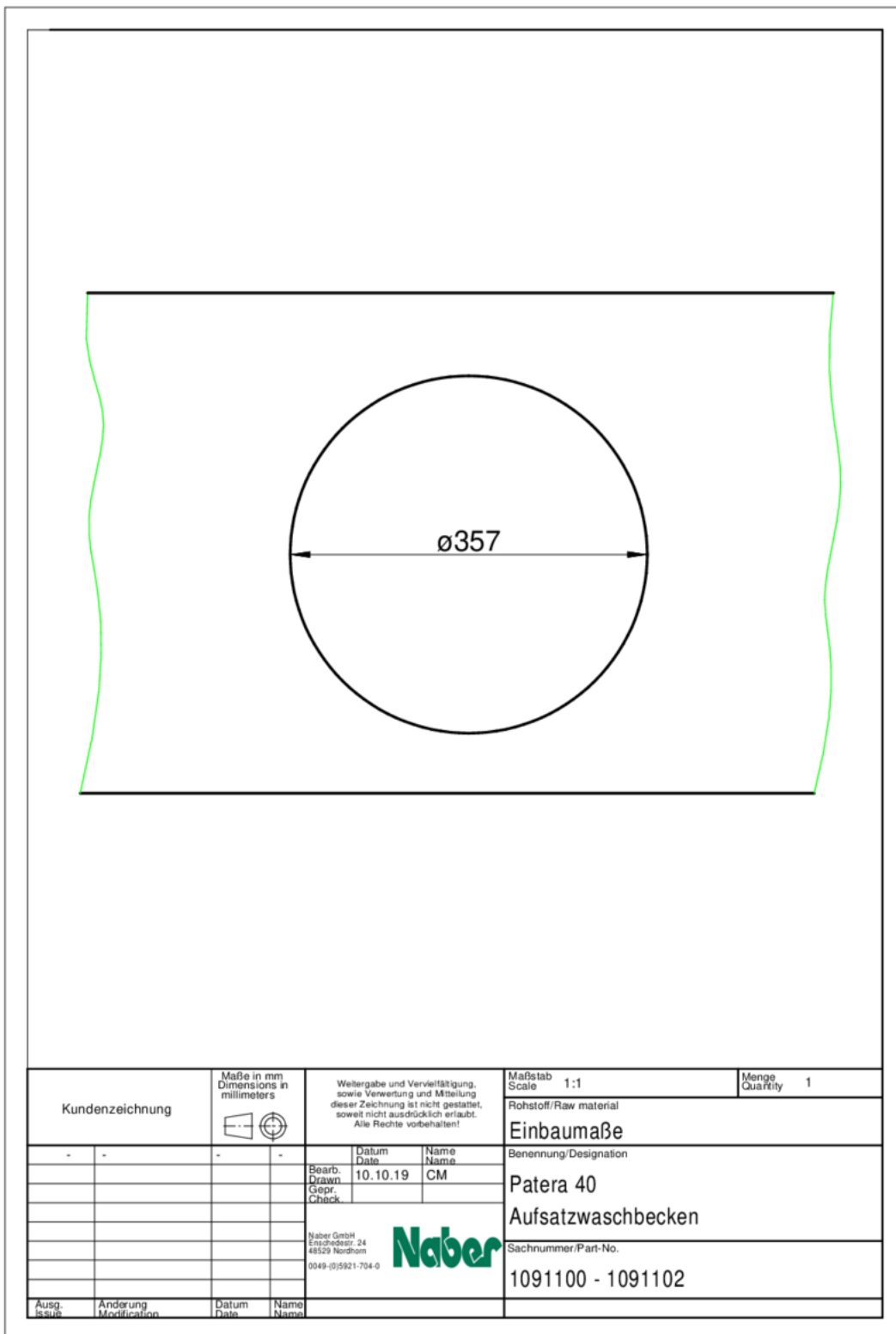
Recommendations

1051026	Pipe odour trap bathroom, Accessory, white
1051052	Washing stand furniture siphon, Siphon, white
1051059	Pipe odour trap, Drain pipe, white
5011285	Glam 1 bathroom, Washbasin tap, chrome, high pressure
5011286	Glam 1 bathroom, Washbasin tap, black matt, high pressure
5011287	Glam 2 bathroom, Washbasin tap, chrome, high pressure
5011288	Glam 2 bathroom, Washbasin tap, black matt, high pressure
5011289	Stile 1 bathroom, Washbasin tap, chrome, high pressure
5011290	Stile 1 bathroom, Washbasin tap, black matt, high pressure
5011291	Stile 2 bathroom, Washbasin tap, chrome, high pressure
5011292	Stile 2 bathroom, Washbasin tap, black matt, high pressure

Dimensional sketch (PDF)



Installation dimensions (PDF)



Kundenzeichnung		Maße in mm Dimensions in millimeters	Weitergabe und Vervielfältigung, sowie Verwertung und Mitteilung dieser Zeichnung ist nicht gestattet, soweit nicht ausdrücklich erlaubt. Alle Rechte vorbehalten!		Maßstab Scale 1:1	Menge Quantity 1
-	-				Rohstoff/Raw material	
			Datum Date	Name	Benennung/Designation	
			10.10.19	CM	Patera 40	
			Bearb. Drawn		Aufsatzwaschbecken	
			Gepr. Check		Sachnummer/Part-No.	
			Naber GmbH Enschedeestr. 24 48529 Nordhorn 0049-(0)5921-704-0		1091100 - 1091102	
Ausg. Issus	Anderung Modification	Datum Date	Name Name			