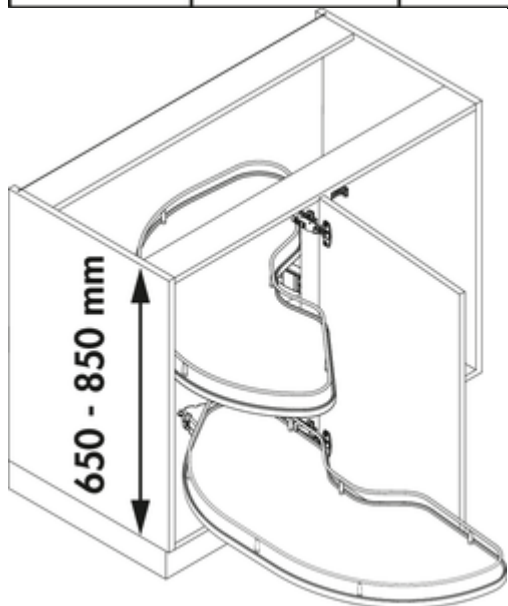


A	B (min.)	C
450	900	min. 411
500	1000	min. 461
600	1000	min. 561



## Cornerstone Maxx fitting set

Product number: 8037098  
Configuration: silver

### Configuration options

8037098 | silver  
8037130 | anthracite

- ✓ Swivelling fitting for corner cabinet
  - ✓ Cabinet width: for 900 mm or 1000 mm
  - ✓ Storage elements can be swivelled in and out independently
- Corner cupboard swivel fitting for accommodating shelves.

- for 900 mm cabinet width and 450 mm door width
- for 1000 mm cabinet width and 500 or 600 mm door width
- installation height 650–850 mm
- installation depth min. 490 mm
- telescopic
- swivels out to the right or left
- swivel technology that slides straight out, no obstruction of the adjacent cabinet

### Set consisting of:

- standpipe
- 2 x swivel arm
- pipe fixture above

### Please note:

Shelves need to be ordered separately!

[more infos...](#)

## Technical data

Article type	Swivelling fitting for corner cabinet	For sidewall thickness	16-19 mm
Note	shelves that slide straight out: no obstruction of the adjacent cabinet Shelves need to be ordered separately	Installation depth	min. 490 mm
Installation_height_list	650–850 mm	Number of storage elements	2
Cabinet width	for 900 mm or 1000 mm	Number of floors	2
Telescopic function	Yes	Opening technology	swivel technology
Consisting of	standpipe 2 x swivel arm pipe fixture above		