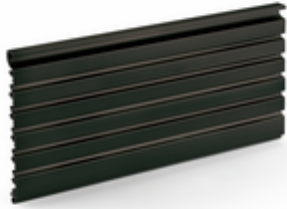


## PRIME flow Presa ventilation grid



Product number: 4041218

Configuration: H 150 mm, ventilation shaft approx. 272 cm<sup>2</sup>/m, black matt

### Configuration options

4041016 | H 100 mm, ventilation shaft approx. 163,2 cm<sup>2</sup>/m, stainless steel col., anodised

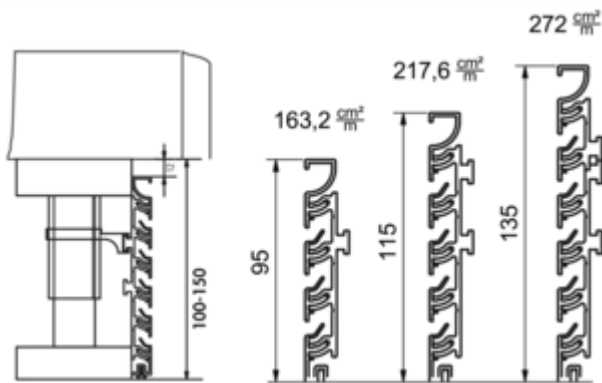
4041017 | H 130 mm, ventilation shaft approx. 217,6 cm<sup>2</sup>/m, stainless steel col., anodised

4041018 | H 150 mm, ventilation shaft approx. 272 cm<sup>2</sup>/m, stainless steel col., anodised

4041216 | H 100 mm, ventilation shaft approx. 163,2 cm<sup>2</sup>/m, black matt

4041217 | H 130 mm, ventilation shaft approx. 217,6 cm<sup>2</sup>/m, black matt

4041218 | H 150 mm, ventilation shaft approx. 272 cm<sup>2</sup>/m, black matt



✓ Ventilation grid

✓ surface mounting

Aluminium slatted grille.

— length 2400 mm

— 10 mm LED Flexstrips can be used in the top profile slats

— can be shortened in length and height

— incl. 8 mounting brackets

[more infos...](#)

### Technical data

|              |                  |                                   |                     |
|--------------|------------------|-----------------------------------|---------------------|
| Article type | Ventilation grid | Mounting/Fixing                   | surface mounting    |
| Brand        | PRIME flow       | Ventilation cross-section approx. | 272 cm <sup>2</sup> |
| Height       | 150 mm           | Shape                             | angular             |
| Width        | 2.400 mm         | System dimension                  | 150                 |
| Material     | aluminium        | Ventilation system                | COMPAIR PRIME flow® |
| Properties   | can be shortened |                                   |                     |