

Quadra

Product number: 3011097

Configuration: stainless steel coloured, H 1100 mm

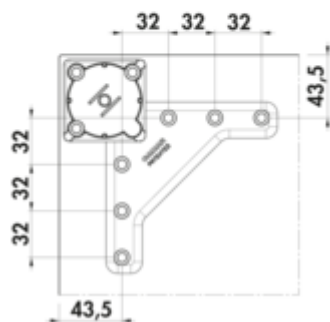
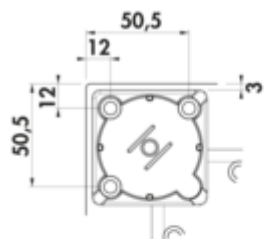
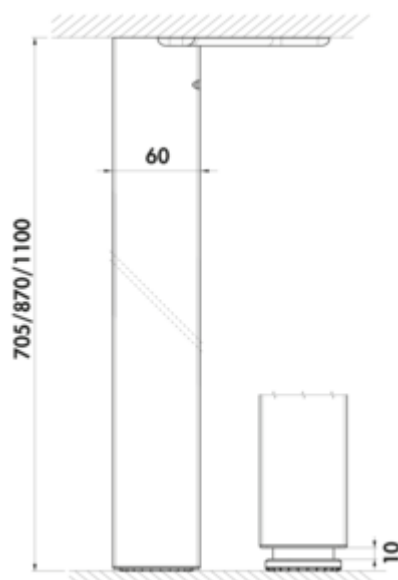
Configuration options

- 3011093 | stainless steel coloured, H 705 mm
- 3011094 | matt black pearly, H 705 mm
- 3011095 | stainless steel coloured, H 870 mm
- 3011096 | matt black pearly, H 870 mm
- 3011097 | stainless steel coloured, H 1100 mm
- 3011098 | matt black pearly, H 1100 mm

- ✓ Support foot
- ✓ square
- ✓ straight

Supporting foot, square, may not be shortened.

- height plus 10 mm height adjustment
- 60 x 60 mm
- can be mounted flush to corner/centrally
- load-bearing capacity ca. 150 kg



[more infos...](#)

Technical data

Article type	Support foot	With mounting plate	Yes
Height	1.100 mm	Carrying capacity	ca. 150 kg
Width	60 mm	Tube dimension	60 x 60 mm
Properties	cannot be shortened	Height adjustment	10 mm
Mounting/Fixing	flush with the corner possible in the middle	Support element version	straight
Shape	square		

Dimensional sketch (PDF)

