

Appliance holder

Product number: 8031120

Configuration: holder silver coloured

Configuration options

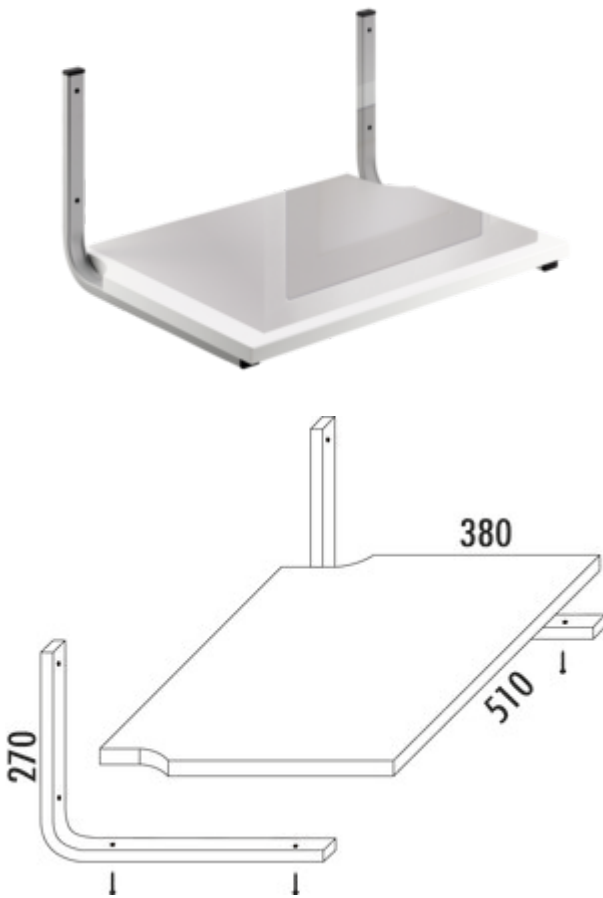
8031120 | holder silver coloured

✓ Equipment for cabinets

✓ max. 30 kg

Multi-functional use for microwave ovens, television sets, radios and other small appliances, max. load bearing capacity 30 kg. with white fixing plate, melamine resin coated, with 2 mm PVC front edge.

— 19 x 510 x 380 mm (H x W x D)



[more infos...](#)

Technical data

Article type	Equipment for cabinets	Further	With white fixing plate, melamine resin coated, with 2 mm PVC front edge.
Height	19 mm	Carrying capacity	max. 30 kg
Width	510 mm	Colour floor	white