

## Easytrack Power Spot

Product number: 7065099

Configuration: black matt

### Configuration options

7065099 | black matt

✓ 3000 K warm white

✓ 20 watts

Spot for Easytrack track. Powder-coated aluminium housing.

— 20 watt, 48 VDC

— **3000 K** warm white

— very high quality of light thanks to colour rendering index >90

— max. 100 lumen/watt at **3000 K** warm white

— can be rotated and swivelled

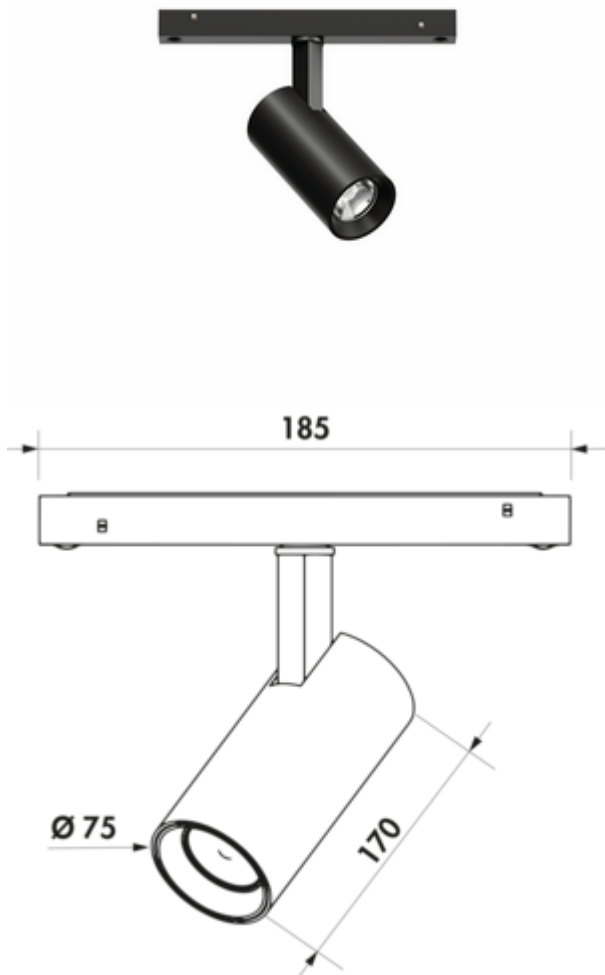
— ideal for accentuation or useful light

— light angle 36°

— with integrated ZigBee 3.0 control unit

This product contains an energy efficiency class F light source.

Tool-free click-in mounting in the track. Held in place by magnet or additional mechanical lock!



[more infos...](#)

### Technical data

Article type	Luminaire	Surface/coating	powder coated
Width	62 mm	Intended use	ideal for accentuation or useful light
Material	aluminium	Illuminant included	Yes
Energy efficiency class	F	Colour temperature	3000 K warm white
Mains voltage	48 VDC	Illuminant type	LED
Properties	rotatable Swivelling	Light yield	max. 100 lumen/watt at 3000 K warm white
Mounting/Fixing	tool-free click-in installation in the track held in place by a mechanical locking	Radiation angle	36°
Certification	CE	Illuminant power	20 watts