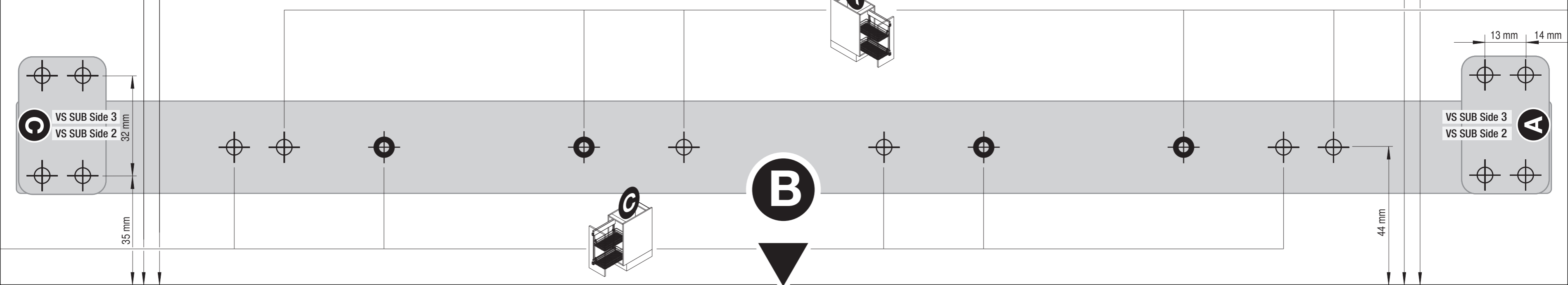
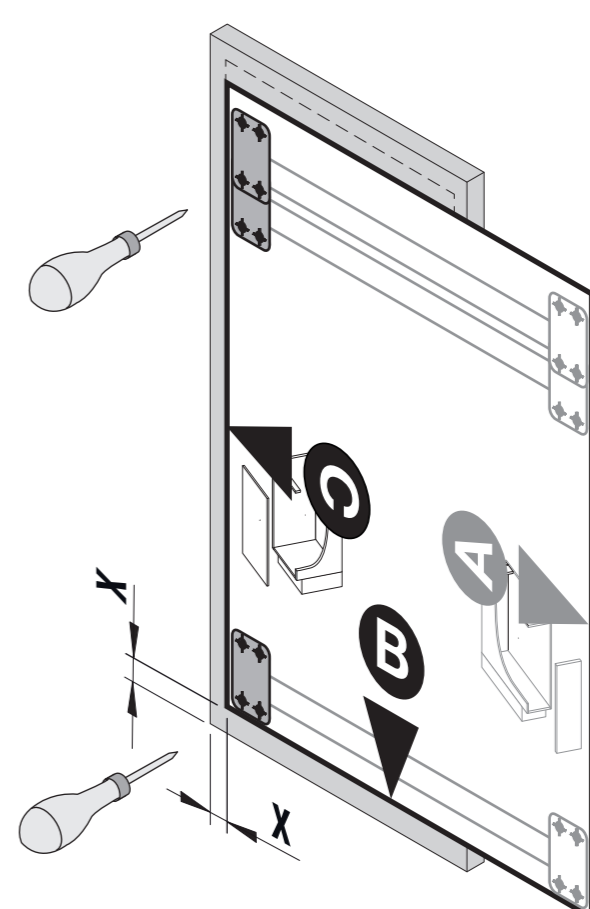
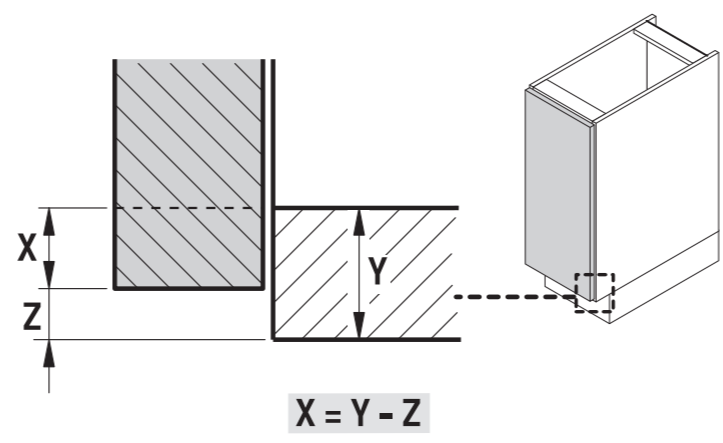
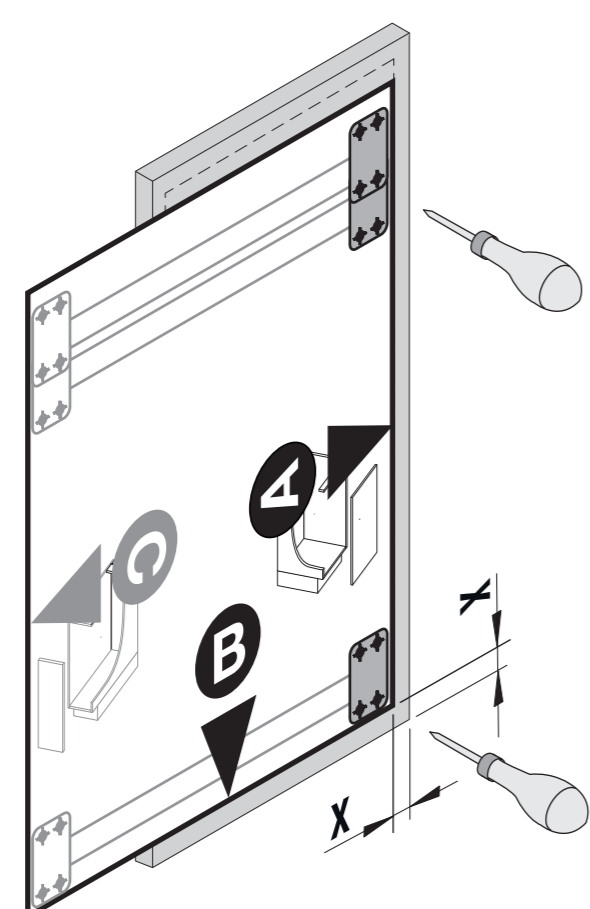
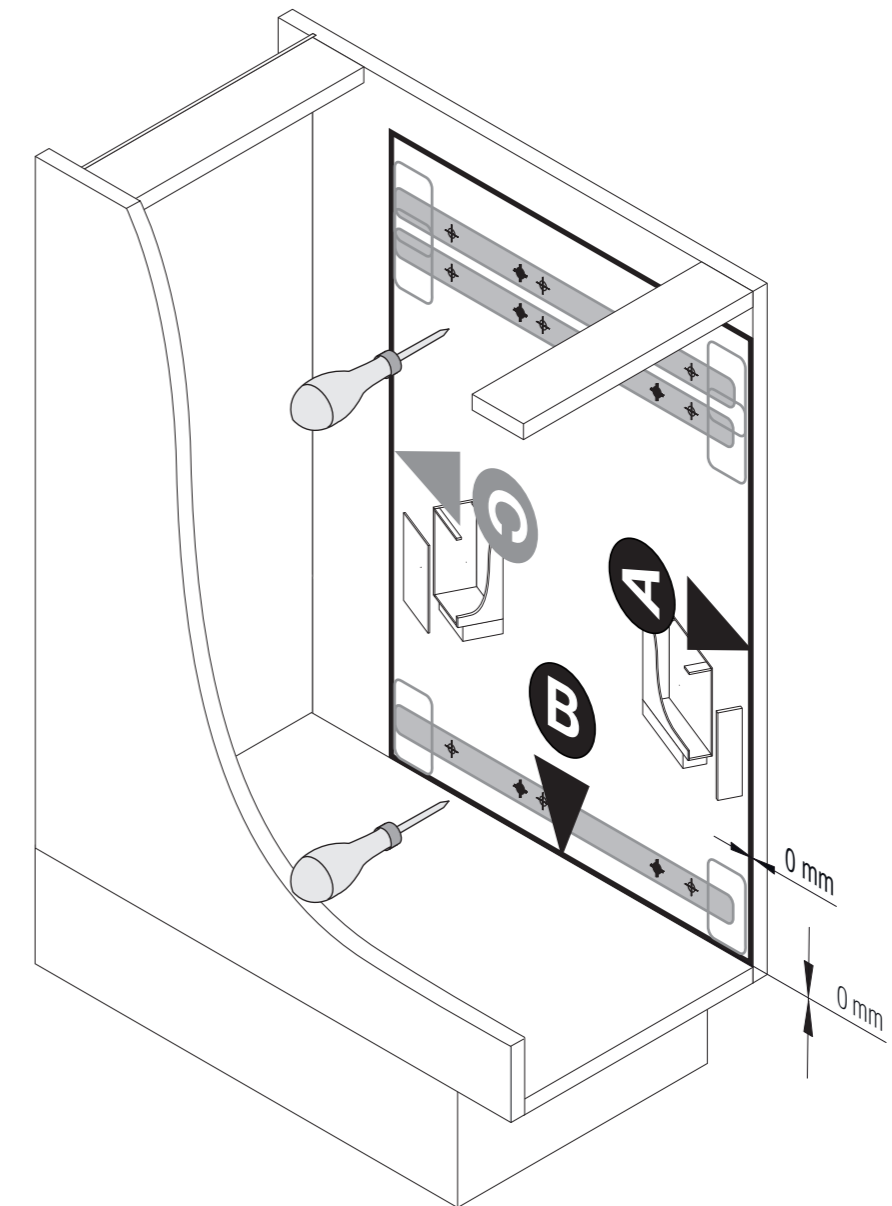
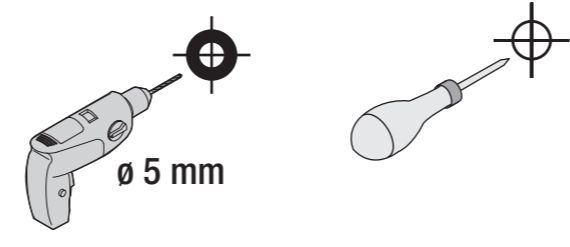
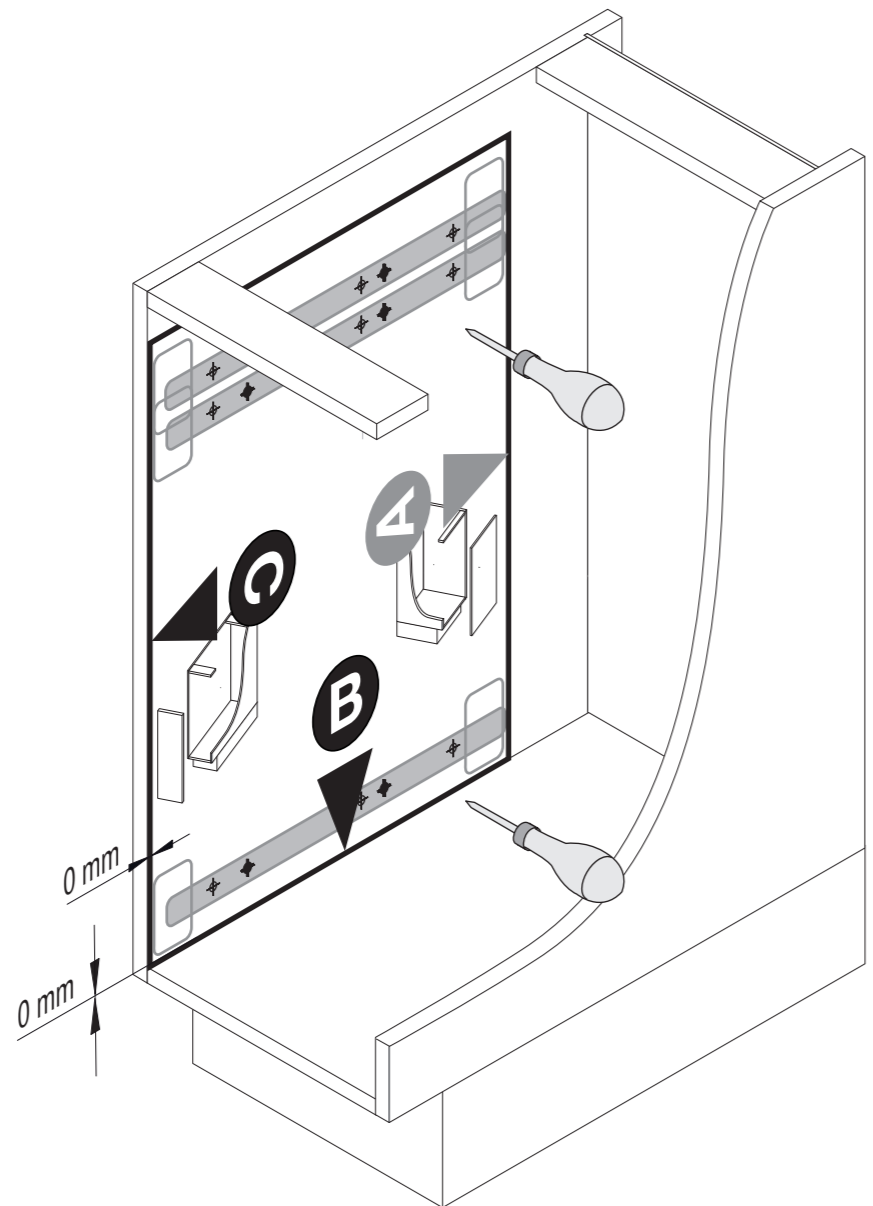
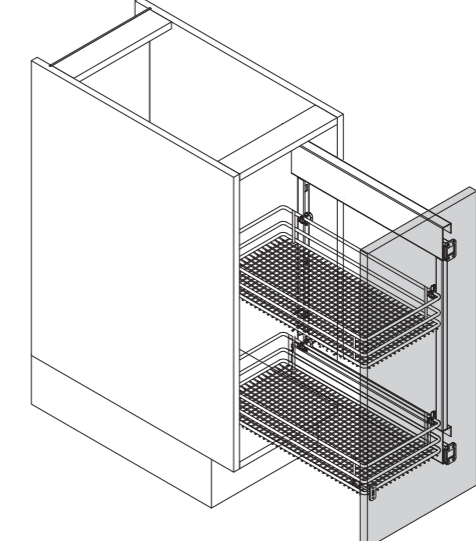
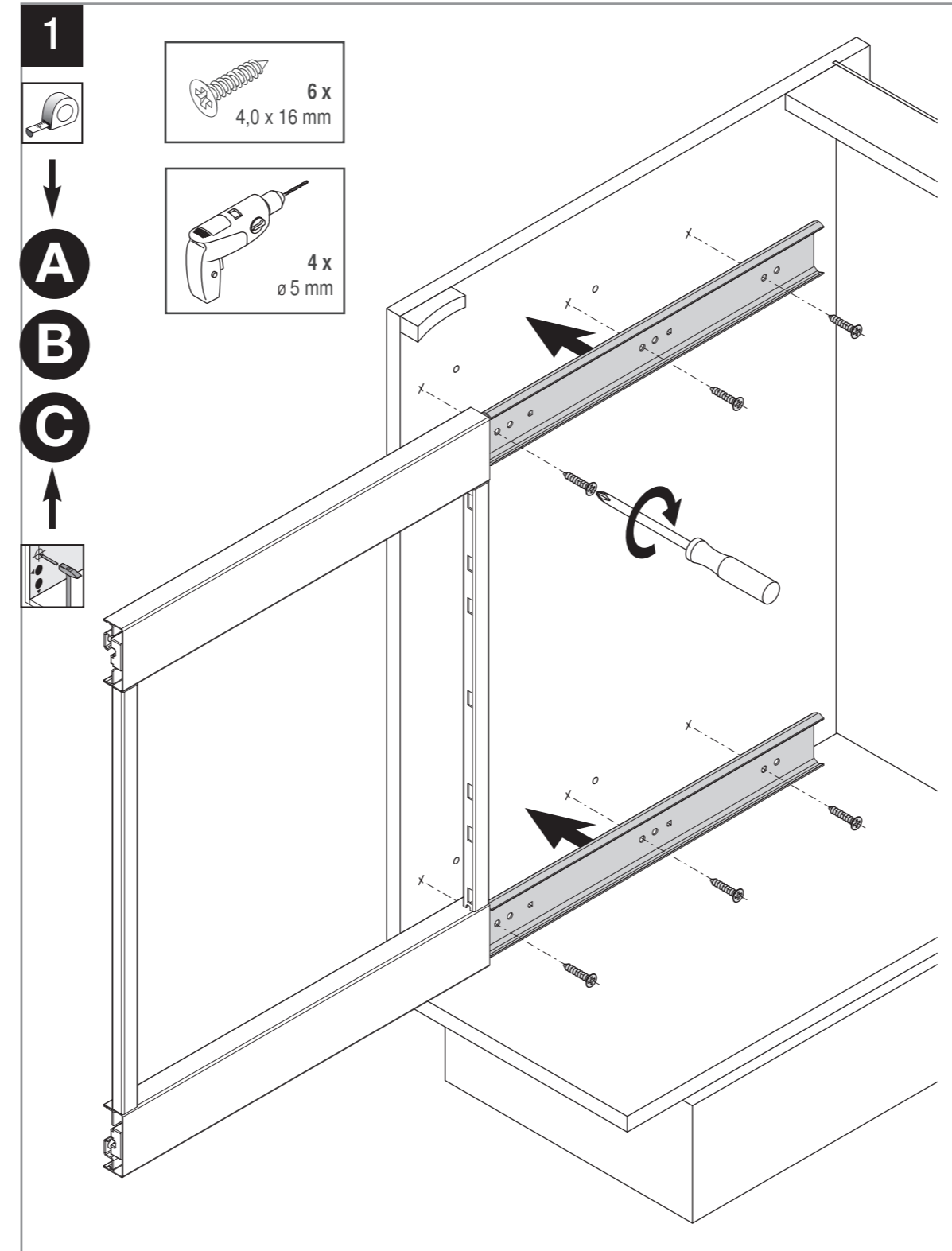
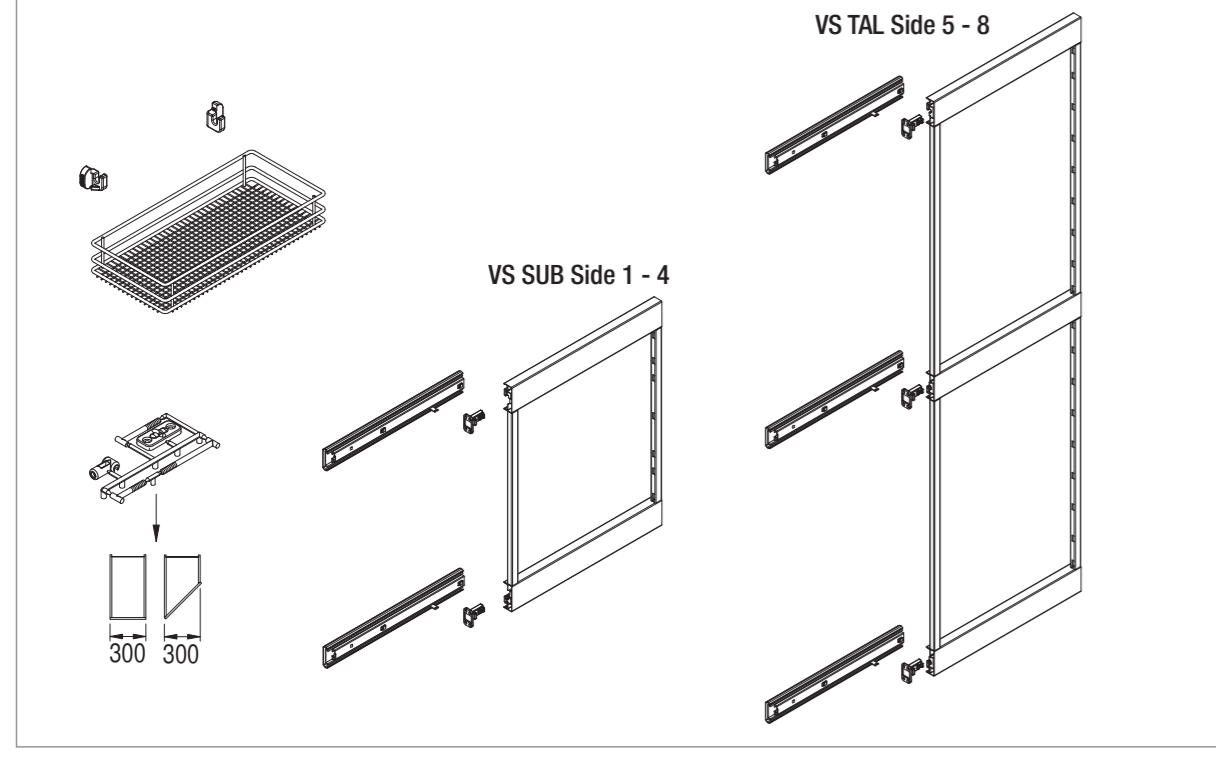
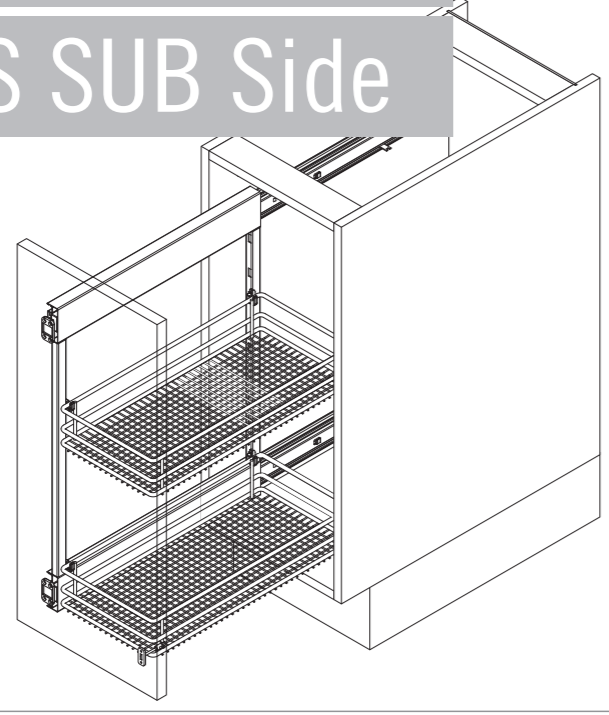
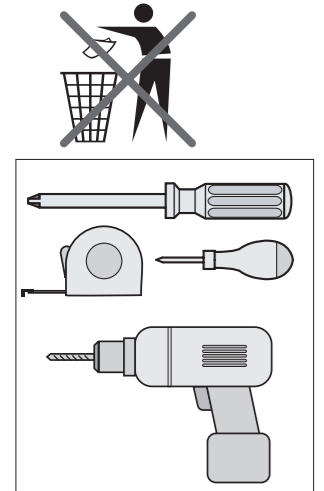


VS SUB Side 05/2017

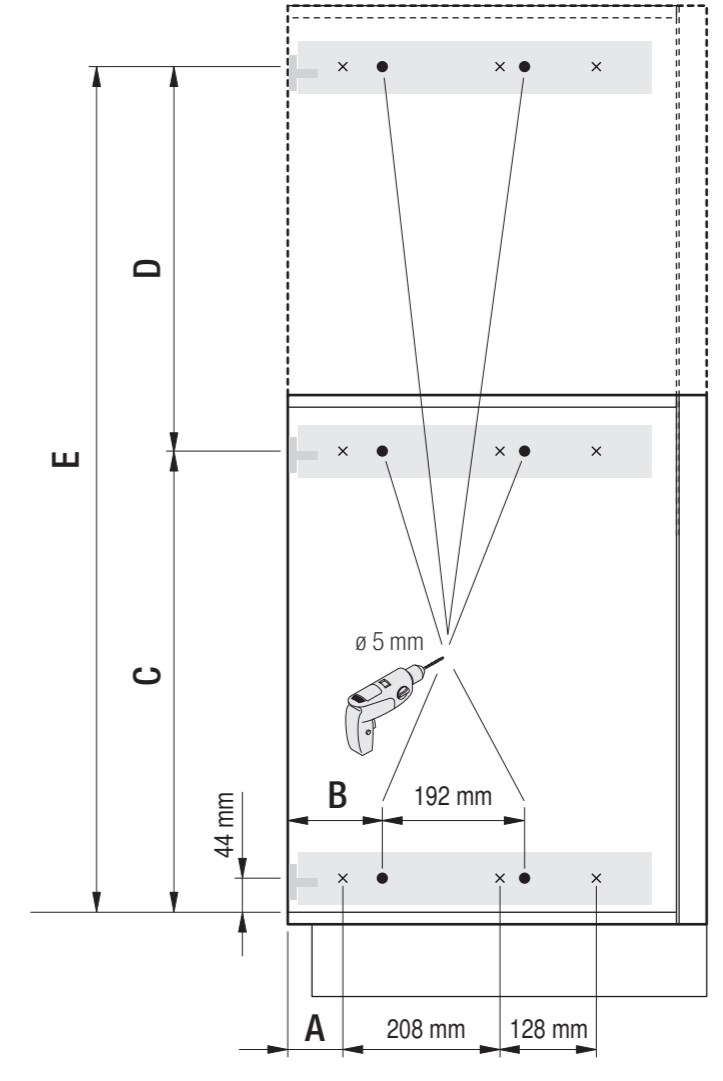
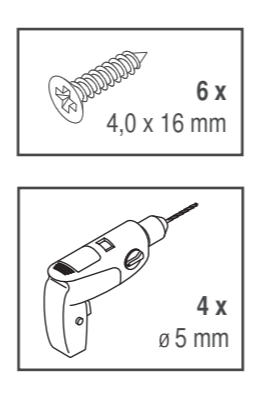


VS TAL Side VS SUB Side

05/2017

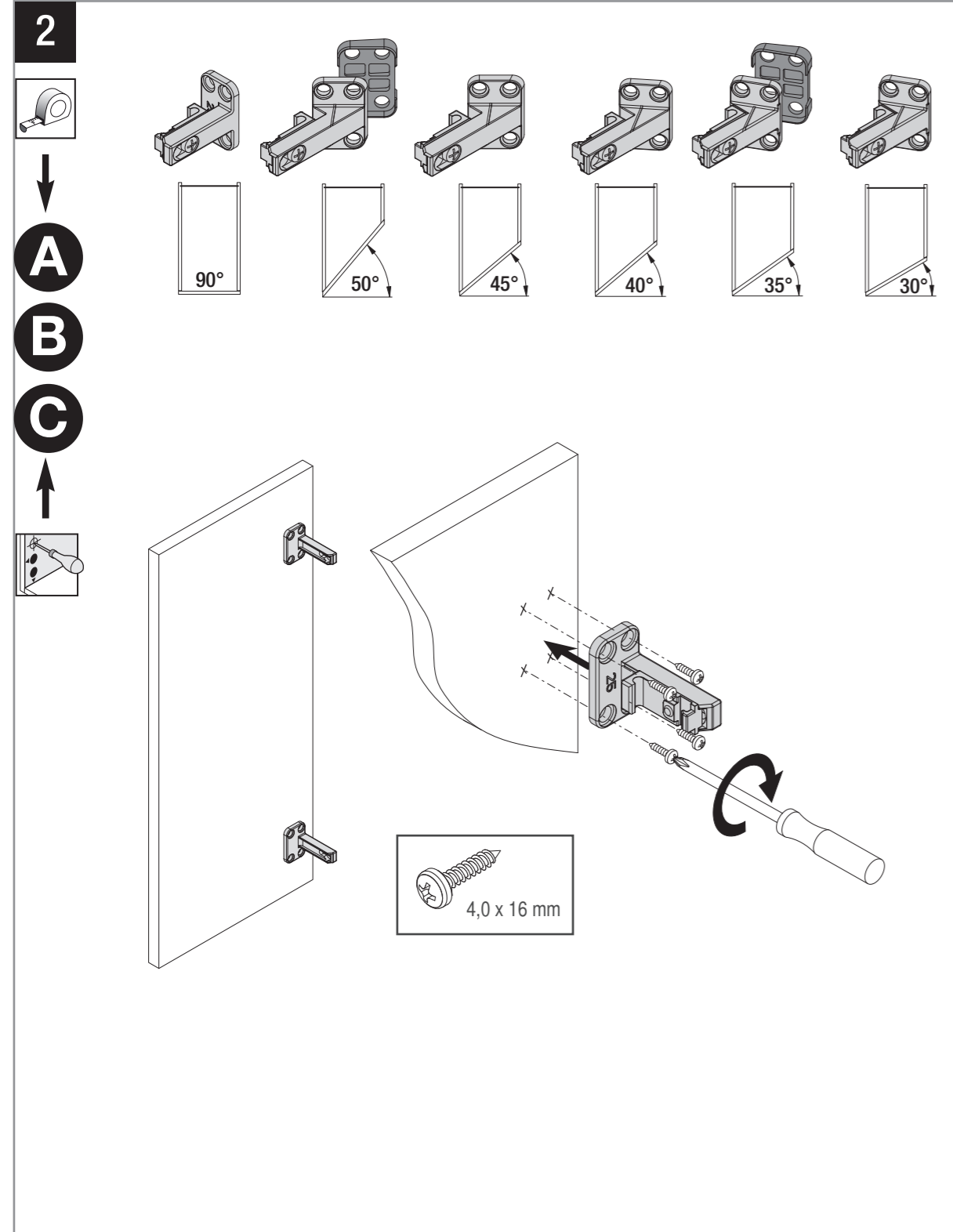


1
A
B
C

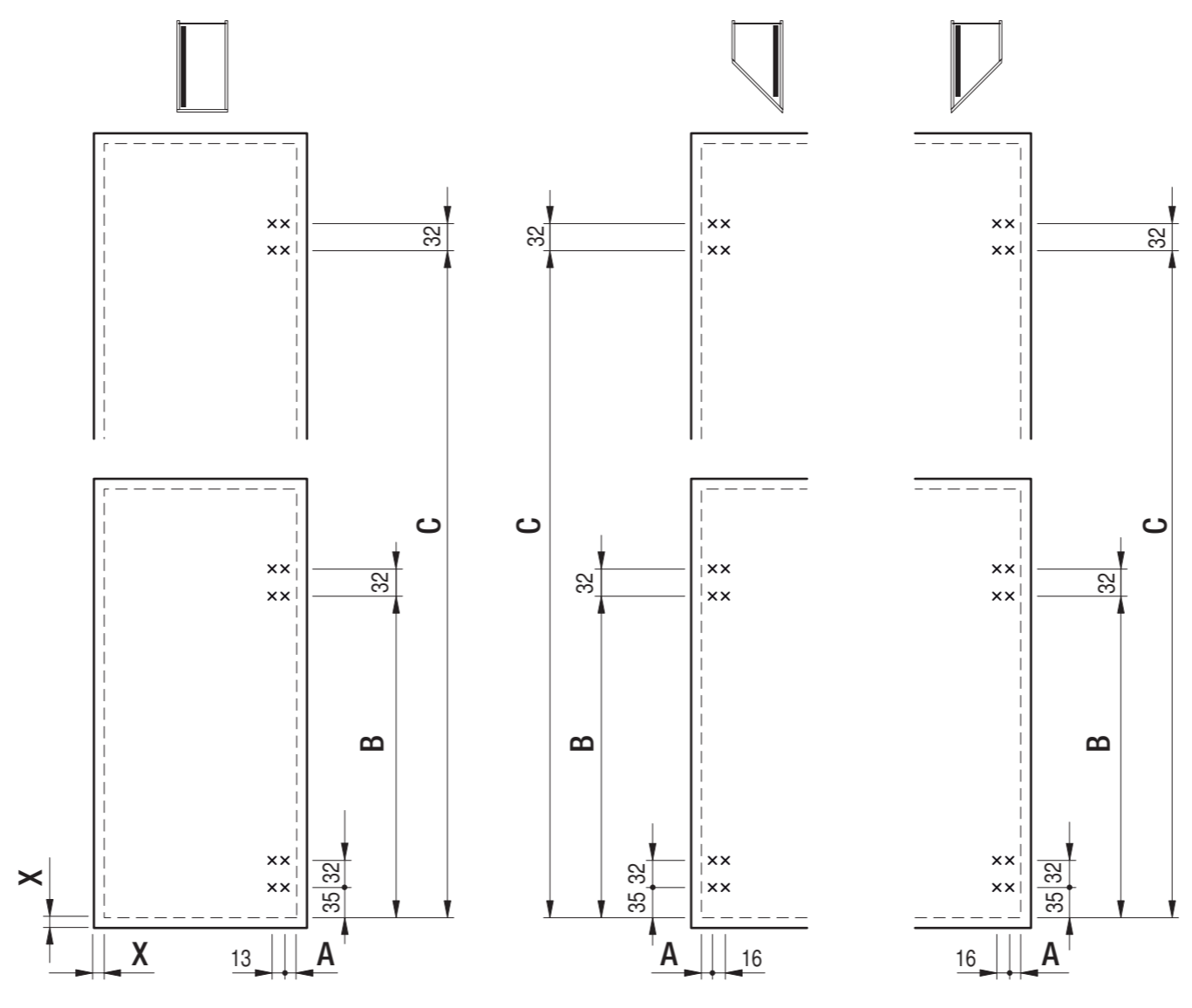
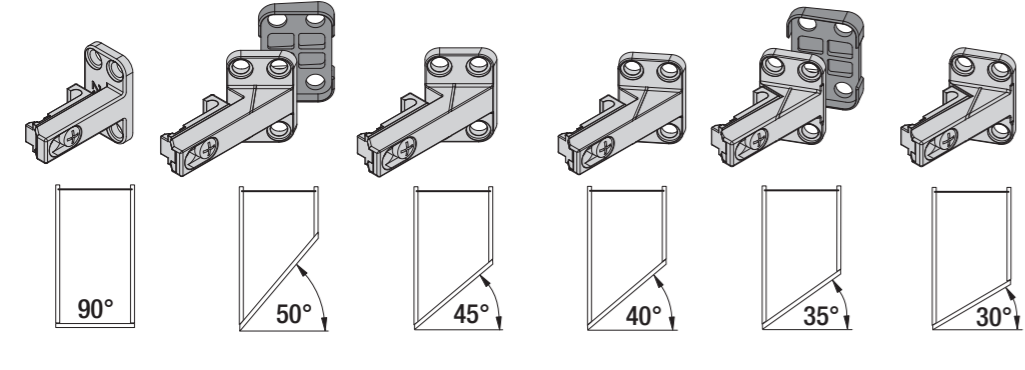


	A	B
90°	75	123
50°	111	159
45°	103	151
40°	98	146
35°	91	139
30°	85	133

	C	D	E
VS TAL Side 8	916	872	1788
VS TAL Side 7	805	761	1566
VS TAL Side 5	615	571	1186
VS SUB Side 4	705		
VS SUB Side 3	583		
VS SUB Side 2	541		
VS SUB Side 1	449		



2
A
B
C



	A	B	B	C	
90°	14	VS TAL Side 8	894	907	1766
50°	28	VS TAL Side 7	783	796	1544
45°	22	VS TAL Side 5	593	606	1164
40°	20	VS SUB Side 4	683		
35°	20	VS SUB Side 3	561		
30°	17	VS SUB Side 2	519		
		VS SUB Side 1	427		

