

## Anelli colour change LED 2

Product number: 7061375

Configuration: individual lamp without switch, black matt

### Configuration options

7061374 | individual lamp without switch, stainless steel coloured

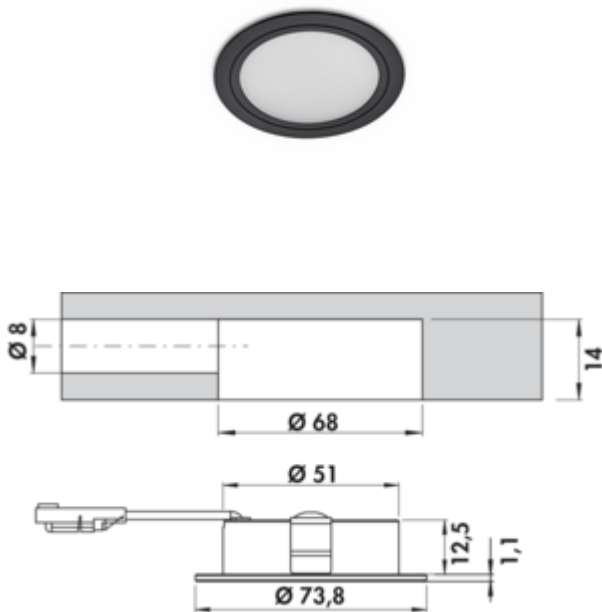
7061375 | individual lamp without switch, black matt

- ✓ Built-in lamp
- ✓ 2700 K warm white to 6500 K cold white
- ✓ 2.5 watts

Built-in lamp. Aluminium body. Illumination without visible LED points. **Individual lamp without switch**

- 2,5 watts, **24 V**
- continuous control of the light colour from **2700 K** warm white to **6500 K** cold white
- dimmer function: brightness continuously dimmable
- max. 108 lumen/watt at **6500 K** cold white
- 1800 mm supply line
- drill  $\varnothing$  68 mm
- installation depth 14 mm

This product contains a light source of energy efficiency class D.



### Technical data

Article type	Luminaire	Colour temperature	2700 K warm white to 6500 K cold white
Drilling diameter	68 mm	Colour temperature adjustable	stepless
Energy efficiency class	D	Type of dimming	brightness continuously dimmable
Material housing	aluminium	Illuminant type	LED
Certification	CE MM sign	Replaceable illuminant	No
Shape	round	Light yield	max. 108 lumen/watt at 6500 K cold white
Length of the supply line (primary)	1.800 mm	Homogeneous light field without visible LED points	Yes
Installation depth	14 mm	Design	Built-in lamp
Illuminant included	Yes	Dimming function (composite)	Yes, brightness continuously dimmable
Dimmer	Yes	Illuminant power	2.5 watts

[more infos...](#)