

Anelli colour change LED 2

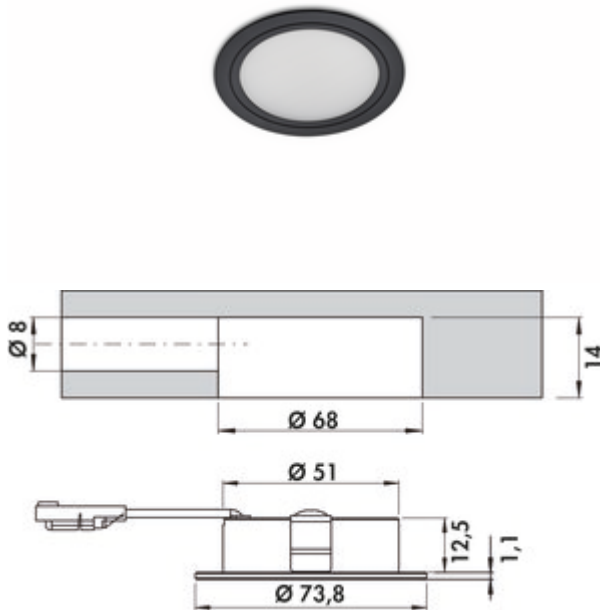
Product number: 7061375

Configuration: individual lamp without switch, black matt

Configuration options

7061374 | individual lamp without switch, stainless steel coloured

7061375 | individual lamp without switch, black matt



- ✓ Built-in lamp
- ✓ 2700 K warm white to 6500 K cold white
- ✓ 2.5 watts

Built-in lamp. Aluminium body. Illumination without visible LED points. Individual lamp without switch

- 2,5 watts, 24 V
- continuous control of the light colour from 2700 K warm white to 6500 K cold white
- dimmer function: brightness continuously dimmable
- max. 108 lumen/watt at 6500 K cold white
- 1800 mm supply line
- drill \varnothing 68 mm
- installation depth 14 mm

This product contains a light source of energy efficiency class D.



[more infos...](#)

Technical data

Article type	Luminaire	Colour temperature	2700 K warm white to 6500 K cold white
Drilling diameter	68 mm	Colour temperature adjustable	stepless
Energy efficiency class	D	Type of dimming	brightness continuously dimmable
Material housing	aluminium	Illuminant type	LED
Certification	CE MM sign	Replaceable illuminant	No
Shape	round	Light yield	max. 108 lumen/watt at 6500 K cold white
Length of the supply line (primary)	1.800 mm	Homogeneous light field without visible LED points	Yes
Installation depth	14 mm	Design	Built-in lamp
Illuminant included	Yes	Dimming function (composite)	Yes, brightness continuously dimmable
Dimmer	Yes	Illuminant power	2.5 watts

Accessories

7061378	LED connection line, Connection line/element, white
7061377	Anelli mounting ring R, Accessory, round, black matt, 13 mm
7061400	MEC Driver LED converter, 18 W, 12/24 V
7061401	MEC Driver LED converter, 36 W, 12/24 V
7061402	MEC Driver LED converter, 48 W, 12/24 V
7061403	MEC Driver LED converter, 60/72 W, 12/24 V
7061404	MEC Driver LED converter, 90 W, 24 V
7061405	MEC Driver LED converter, 120 W, 24 V
7061427	MEC Driver LED 1-channel module radio/ZigBee, Accessory, 24 V
7061429	MEC Driver LED 4-channel module radio/ZigBee, Accessory, 24 V
7061430	MEC Driver LED remote control 1+4 channel ZigBee, black
7061431	MEC Driver LED remote control 1+4 channel ZigBee, white
7061380	Distributor 24 V, Distributor, white