



## Butler sink single bowl

Product number: 1094020

Configuration: white glossy

### Configuration options

1094020 | white glossy

1094069 | graphite

1094077 | pure black

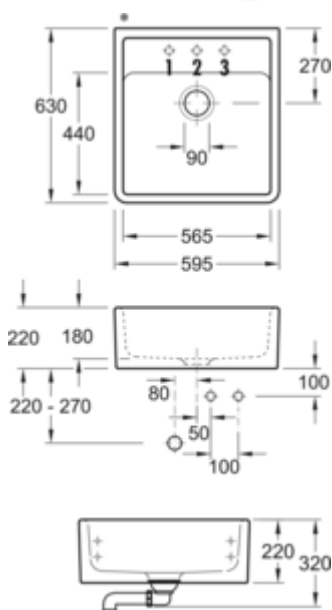
- ✓ Sink
- ✓ ceramic
- ✓ Eccentric set, chrome-plated

Butler sink, ceramic. Single bowl. 3½" basket strainer valve flush, rotational excenter fitting, chrome-plated, turning knob stainless steel coloured, attachment set for installation on a floor cabinet.

— rear of sink is unglazed

— sink is delivered with 2 drill holes (1 + 2)

— **Please state if different drill hole (1, 2 or 3) or none is required.**



**ceramicplus**  
Villeroy & Boch

[more infos...](#)

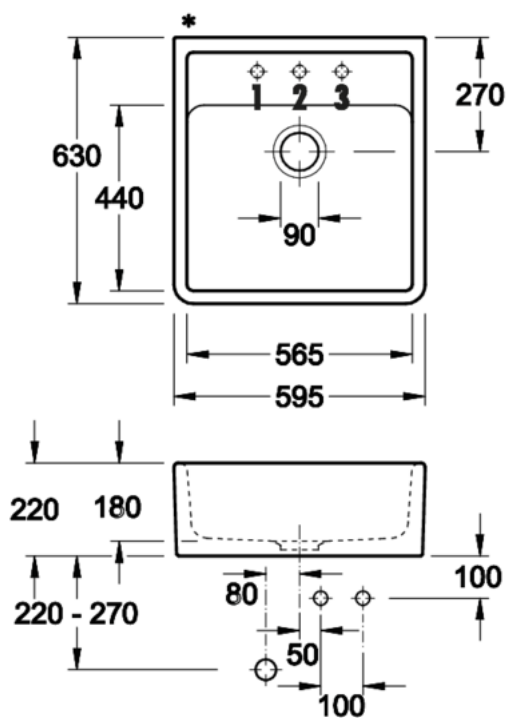
### Technical data

Article type	Sink	Installation variant	Sink
Height	320 mm	Main sink width	565 mm
Width	595 mm	Height main sink	180 mm
Material	ceramic	Depth main sink	440 mm
Note	rear of sink is unglazed	Number of tap holes	1
Cabinet width	600 mm	Armature bench	Yes
Surface/coating	glossy	Number of holes	sink is delivered with 2 drill holes (1 + 2) please state if different drill hole (1, 2 or 3) or none is required
Consisting of	3½" basket strainer valve flush rotational excenter fitting, chrome-plated, turning knob stainless steel coloured attachment set for installation on a floor cabinet	Number of sinks	1 main sink
Excenter fitting	Eccentric set, chrome-plated	Number of overflow points	1
Valve type	3½" basket strainer valve flush	Garnish actuation	Chrome-plated rotary eccentric, stainless steel coloured rotary handle
Overflow	Overflow in the main basin		

## Recommendations

1094066 Hole drilling, Accessory, Ø 35 mm

Dimensional sketch (PDF)



Zul. Abw. f. Maße ohne Toleranzangabe General tolerances DIN ISO 2768m	Maße in mm Dimensions in millimeters	Weitergabe und Verantwortl. sowie Vervielfältigung dieser Zeichnung ist nicht gestattet, soweit nicht ausdrücklich erlaubt. Alle Rechte vorbehalten!	Maßstab Scale 1:1	Menge Quantity 1
			Rohstoff/Raw material Keramik	
-	-	Datum Date 10.04.15	Name cg	Benennung/Designation Spülstein Einzelbecken Spülstein
		 Naber GmbH Enschedestr. 24 48529 Nordhorn 0049-(0)5921-704-0		Sachnummer/Part-No. 1094020
Ausg. Issu	Änderung Modification			Datum Date