



PickUP F

Product number: 1091012

Configuration: slate

Configuration options

- 1091011 | white glossy
- 1091012 | slate
- 1091013 | nero
- 1091014 | lava
- 1091015 | white matt

- ✓ Flush mounted sink
- ✓ ceramic
- ✓ Eccentric set, chrome-plated

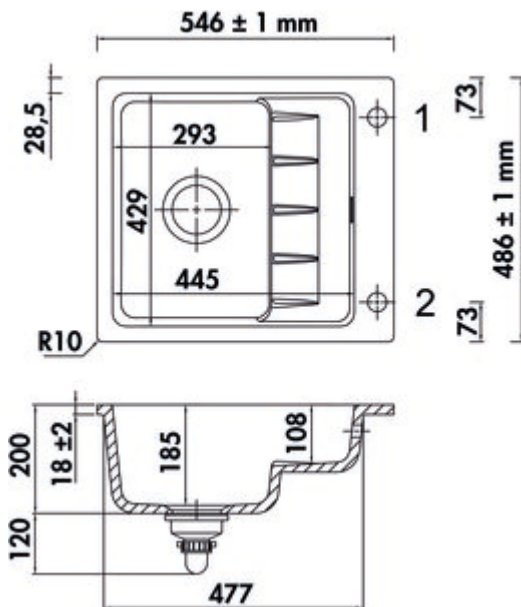
Built-in sink for flush mounting. Ceramic, single bowl with second level, reversible, 3½" basket strainer valve flush with premium rotational excenter fitting, chromed, drill hole 1 + 2 drilled through.

— suitable for worktop thicknesses from 30 mm

— requires beading all round or a support bar (beading depth 25 mm, beading width 8 mm)

— cutout dimensions approx. 550 x 490 mm, R 12 mm

Design by Hans Winkler Design, Grafenau.



[more infos...](#)

Technical data

Article type	Sink	Height main sink	185 mm
Width	546 mm	Depth main sink	429 mm
Material	ceramic	Flushing radius (R)	10
Designer	Design by Hans Winkler Design, Grafenau.	Material thickness worktop minimum	30 mm
Note	requires beading all round or a support bar (beading depth 25 mm, beading width 8 mm) we recommend using a faucet with pull-out spout or shower head Sink with milled outer edge for flush mounting. Worktop thickness min. 30 mm. Attention: In the cutout, a chamfer of 2 mm x 45° has to be applied to the upper edge!	Number of tap holes	1
Cabinet width	600 mm	Armature bench	Yes
Cut-out dimension	approx. 550 x 490 mm, R 12 mm	Number of holes	2
Excenter fitting	Eccentric set, chrome-plated	Arrangement sinks	Reversible
Valve type	3½" basket strainer valve flush	Number of sinks	1 main sink
Overflow	Overflow in the main basin	Number of overflow points	1
Installation variant	Flush mounted sink	Draining board	With integrated drainer
Main sink width	293 mm	Garnish actuation	Chrome-plated rotary eccentric

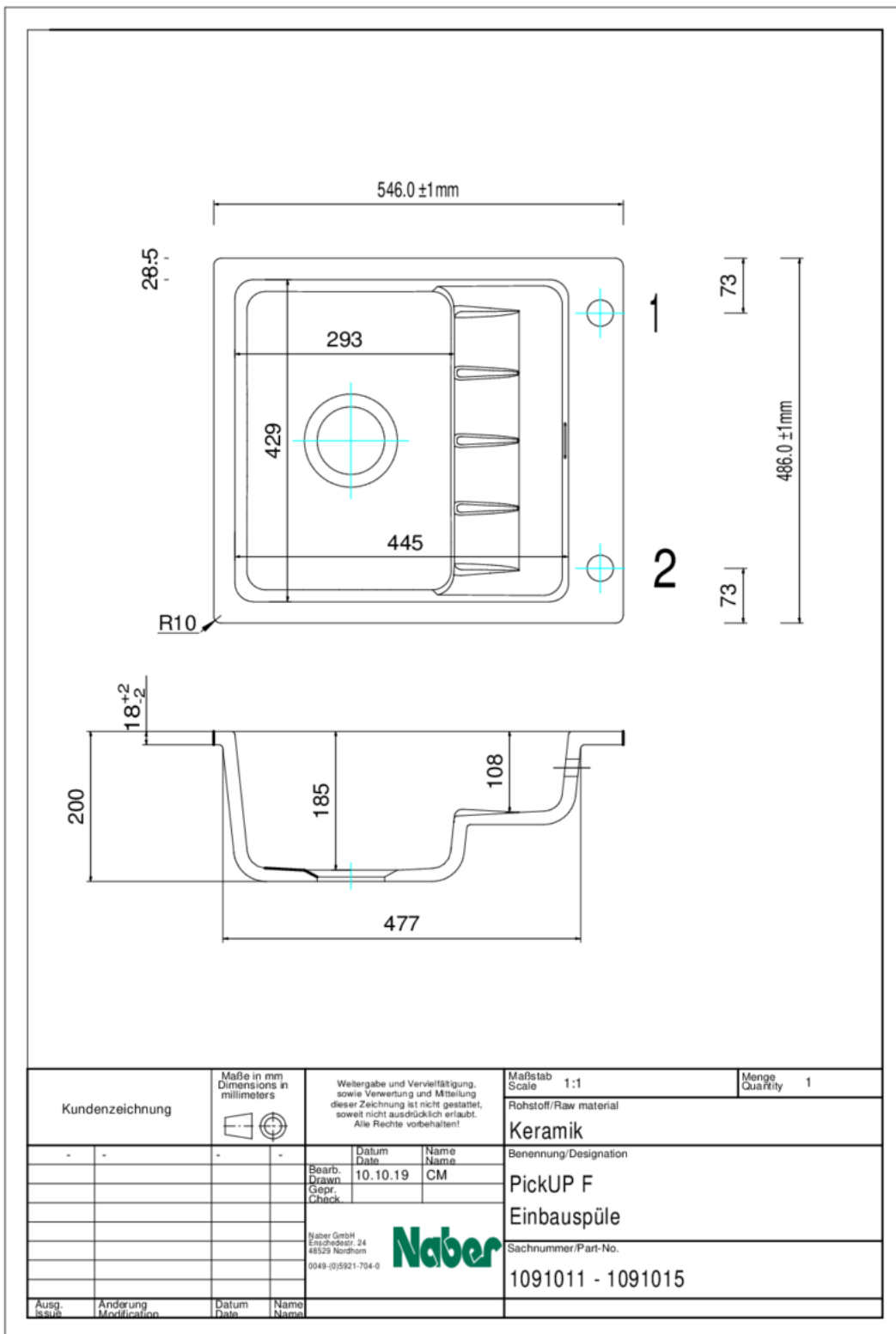
Accessories

1091038	Bowl insert, Accessory, stainless steel
---------	---

Recommendations

5023125	Steel 2, Sink faucet, stainless steel, high pressure
---------	--

Dimensional sketch (PDF)



Installation dimensions (PDF)

