



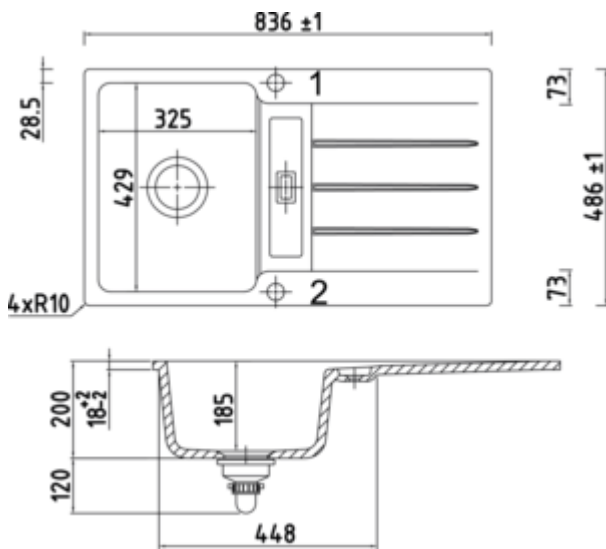
LineUP 1F

Product number: 1091060

Configuration: white matt

Configuration options

1091056 | white glossy
 1091057 | slate
 1091058 | nero
 1091059 | lava
 1091060 | white matt



- ✓ Built-in sink
- ✓ ceramic
- ✓ Eccentric set, chrome-plated

Built-in sink for flush mounting. Ceramic, single bowl with draining surface, reversible, 3½" basket strainer valve flush with premium rotational excenter fitting, chromed, drill hole 1 + 2 drilled through.

— suitable for worktop thicknesses from 30 mm

— requires beading all round or a support bar (beading depth 25 mm, beading width 8 mm)

— cutout dimensions approx. 840 x 490 mm, R 12 mm

Design by Hans Winkler Design, Grafenau.



[more infos...](#)

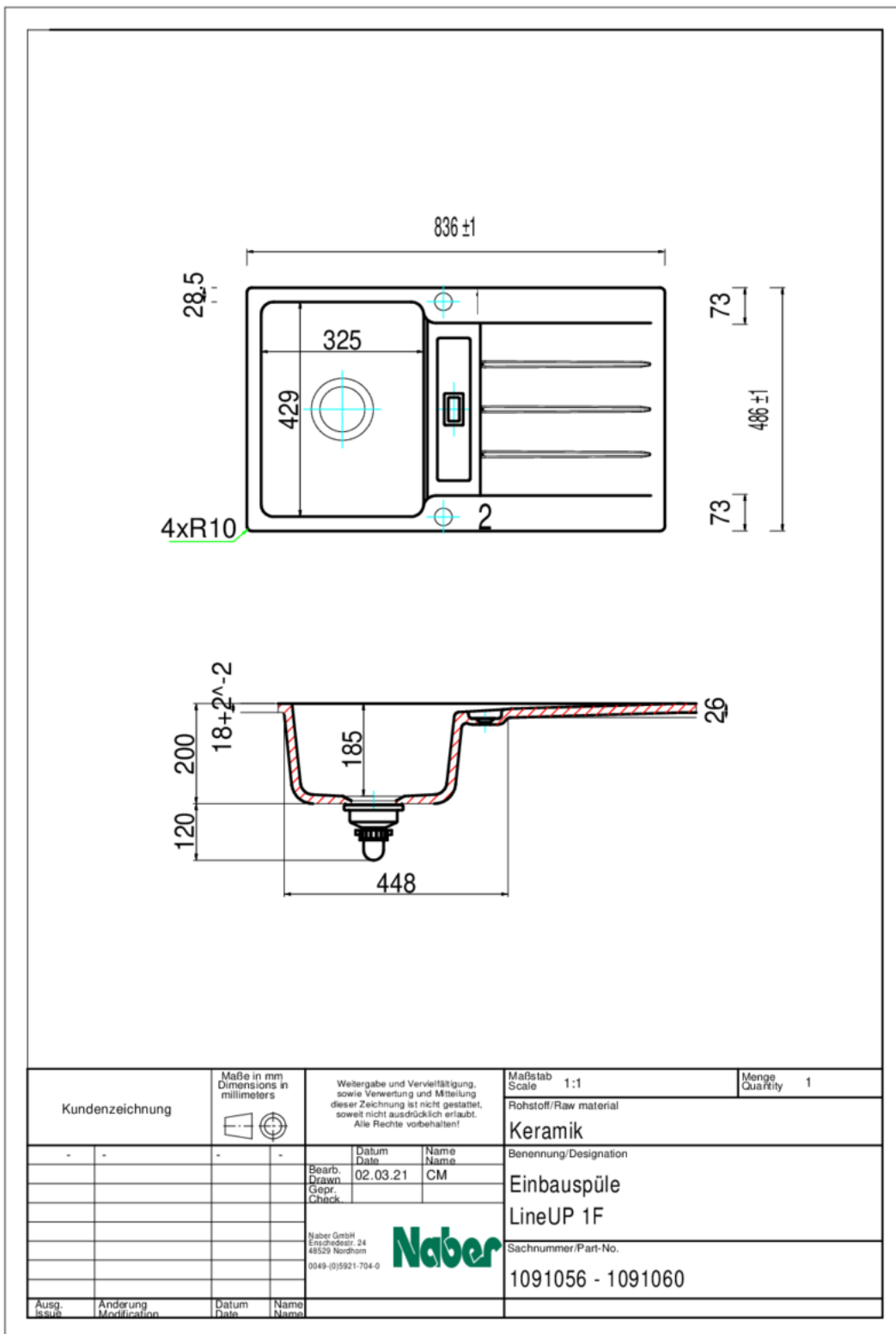
Technical data

Article type	Sink	Main sink width	325 mm
Height	320 mm	Height main sink	185 mm
Width	836 mm	Depth main sink	429 mm
Material	ceramic	Flushing radius (R)	10
Designer	Design by Hans Winkler Design, Grafenau.	Material thickness worktop minimum	30 mm
Note	requires beading all round or a support bar (beading depth 25 mm, beading width 8 mm) Sink with milled outer edge for flush mounting. Worktop thickness min. 30 mm. Attention: In the cutout, a chamfer of 2 mm x 45° has to be applied to the upper edge!	Number of tap holes	1
Cabinet width	500 mm	Armature bench	Yes
Cut-out dimension	approx. 840 x 490 mm, R 12 mm	Number of holes	2
Surface/coating	matt	Arrangement sinks	Reversible
Excenter fitting	Eccentric set, chrome-plated	Number of sinks	1 main sink
Valve type	3½" basket strainer valve flush	Number of overflow points	1
Overflow	Overflow in the drainer	Draining board	With ribbed draining surface
Installation variant	Built-in sink	Garnish actuation	Chrome-plated rotary eccentric

Recommendations

5011308	Mio 3, Sink faucet, chrome, high-pressure
5023125	Steel 2, Sink faucet, stainless steel, high pressure
1091027	Premium rotational excenter, Accessory, nero
1091036	Premium rotational excenter, Accessory, chrome
1091037	Premium rotational excenter, Accessory, stainless steel

Dimensional sketch (PDF)



Installation dimensions (PDF)

