



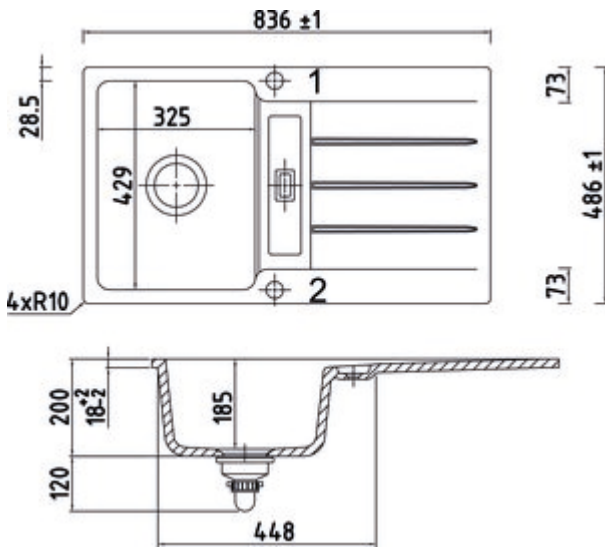
## LineUP 1F

Product number: 1091060

Configuration: white matt

### Configuration options

1091056 | white glossy  
 1091057 | slate  
 1091058 | nero  
 1091059 | lava  
 1091060 | white matt



- ✓ Built-in sink
- ✓ ceramic
- ✓ Eccentric set, chrome-plated

Built-in sink for flush mounting. Ceramic, single bowl with draining surface, reversible, 3½" basket strainer valve flush with premium rotational excenter fitting, chromed, drill hole 1 + 2 drilled through.

— suitable for worktop thicknesses from 30 mm

— requires beading all round or a support bar (beading depth 25 mm, beading width 8 mm)

— cutout dimensions approx. 840 x 490 mm, R 12 mm

Design by Hans Winkler Design, Grafenau.



[more infos...](#)

### Technical data

|                      |   |                                    |                                |
|----------------------|---|------------------------------------|--------------------------------|
| Article type         | Sink  | Height main sink                   | 185 mm                         |
| Width                | 836 mm  | Depth main sink                    | 429 mm                         |
| Material             | ceramic   | Flushing radius (R)                | 10                             |
| Designer             | Design by Hans Winkler Design, Grafenau.  | Material thickness worktop minimum | 30 mm                          |
| Note                 | requires beading all round or a support bar (beading depth 25 mm, beading width 8 mm)<br>Sink with milled outer edge for flush mounting. Worktop thickness min. 30 mm. Attention: In the cutout, a chamfer of 2 mm x 45° has to be applied to the upper edge! | Number of tap holes                | 1                              |
| Cabinet width        | 500 mm  | Armature bench                     | Yes                            |
| Cut-out dimension    | approx. 840 x 490 mm, R 12 mm   | Number of holes                    | 2                              |
| Surface/coating      | matt  | Arrangement sinks                  | Reversible                     |
| Excenter fitting     | Eccentric set, chrome-plated  | Number of sinks                    | 1 main sink                    |
| Valve type           | 3½" basket strainer valve flush   | Number of overflow points          | 1                              |
| Overflow             | Overflow in the drainer   | Draining board                     | With ribbed draining surface   |
| Installation variant | Built-in sink   | Garnish actuation                  | Chrome-plated rotary eccentric |
| Main sink width      | 325 mm  |                                    |                                |

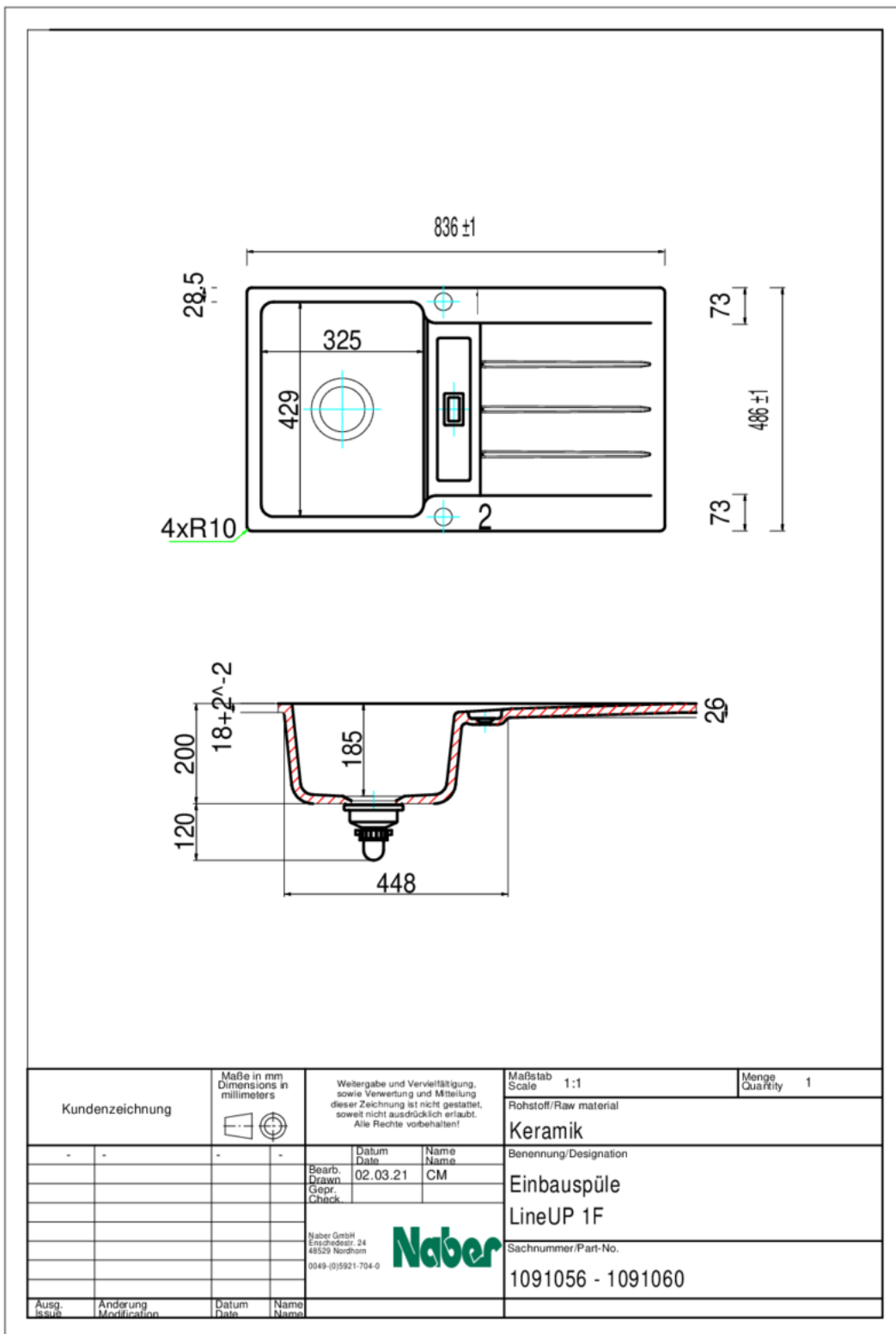
### Accessories

|         |   |
|---------|---|
| 1091038 | Bowl insert, Accessory, stainless steel |
|---------|---|

### Recommendations

|         |  |
|---------|--|
| 5011308 | Mio 3, Sink faucet, chrome, high-pressure            |
| 5023125 | Steel 2, Sink faucet, stainless steel, high pressure |

Dimensional sketch (PDF)



Installation dimensions (PDF)

