

Bracket 3

Product number: 1111103

Configuration: galvanised

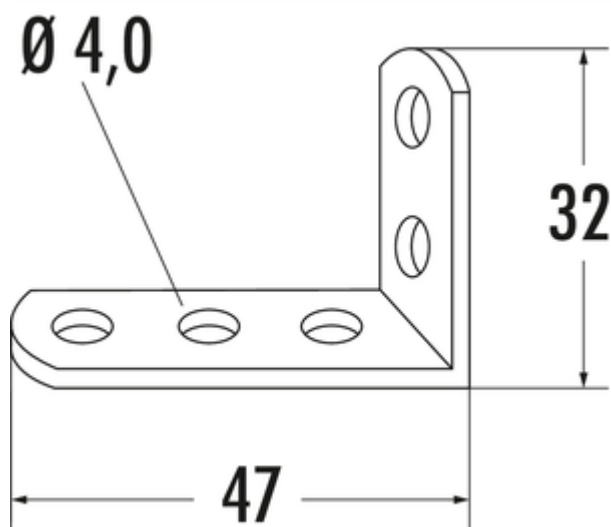
Configuration options

1111103 | galvanised

- ✓ Connecting materials
- ✓ Material: galvanized steel

Blade angle.

- thickness 2 mm
- sides 47 x 32 mm
- width 18 mm



[more infos...](#)

Technical data

Article type	Connecting materials	Diameter hole bore	4 mm
Width	18 mm	Thigh dimensions	47 x 32 mm
Material	galvanized steel	Strength	2 mm