

STEEL flow SF profile seal

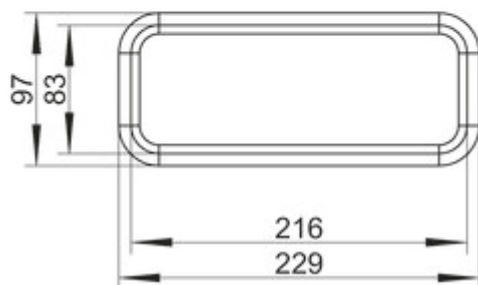
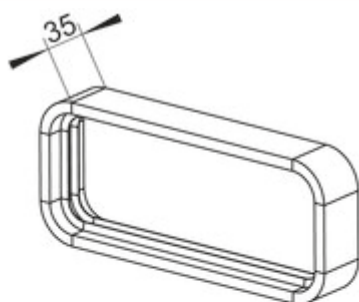
Product number: 4061027

Configuration: PVC

Configuration options

4061027 | PVC

- ✓ Exhaust air accessorie
- ✓ plug-in system
- suitable for flat ducts SF-VRO flex and SF-VRO



[more infos...](#)

Technical data

Article type	Exhaust air accessorie	Mounting/Fixing	plug-in system
Brand	STEEL flow	Suitable for	suitable for flat ducts SF-VRO flex and SF-VRO
Warranty	5-year Naber warranty (except for wear parts); the general warranty conditions of Naber GmbH apply.	Shape	angular
Width	229 mm	Outer diameter	150 mm
Material	PVC	Ventilation system	COMPAIR STEEL flow [®] 150

