

iMove set Single Tray

Product number: 8031104

Configuration: for 600 mm cabinet, W 562 mm

Configuration options

8031104 | for 600 mm cabinet, W 562 mm

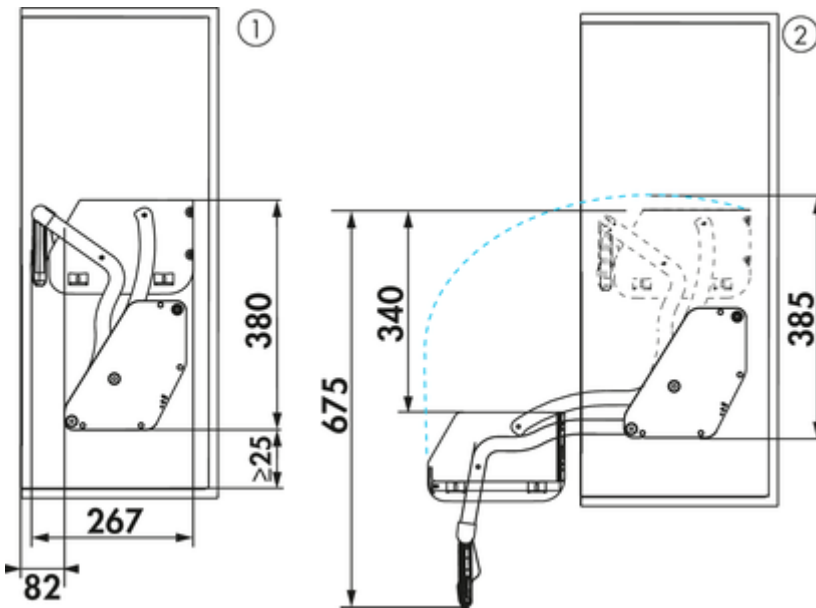
8031105 | for 900 mm cabinet, W 862 mm

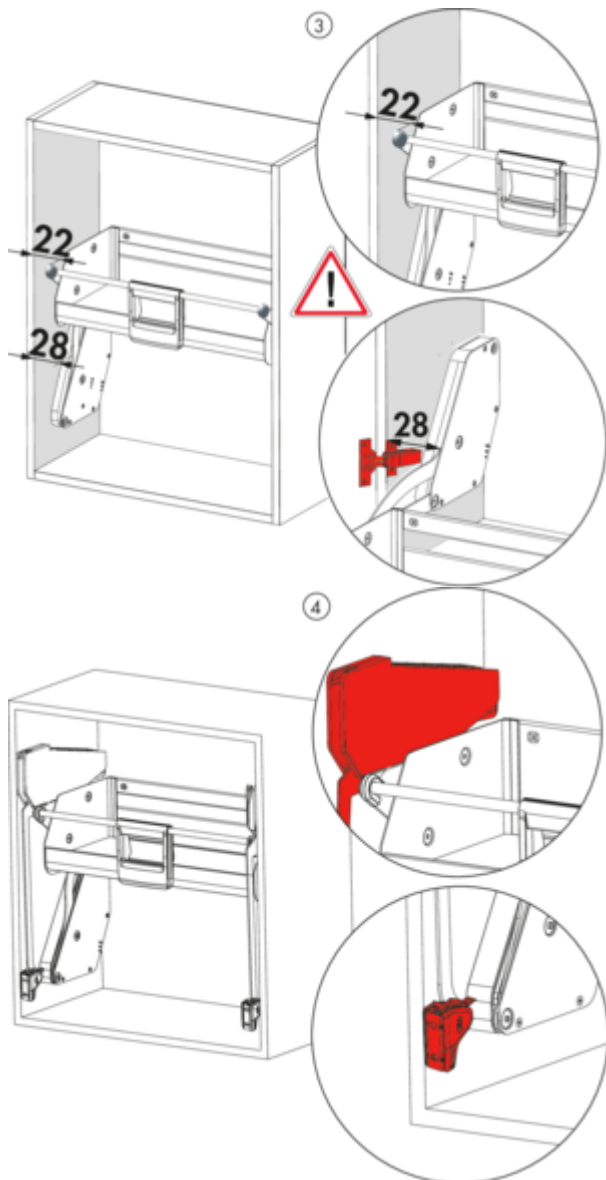
- ✓ Lift fitting
- ✓ load capacity up to 8 kg
- ✓ Cabinet width: 600 mm

Lift fitting. Silver. Incl. fittings (1 drilling template, 8 wood screws 4.5 x 50 mm). Suitable for retrofitting.

- minimum cabinet height* (no upward limit)
- with hinged door: 520 mm
- with use of lift fittings: 650 mm
- suitable for 16 mm and 19 mm side walls
- load capacity up to 8 kg
- 380 x 267 mm (H x L)

*_x0007_cabinet height depends on hinge position, hinge protrusion or lift fitting (see illustrations 1–4).





[more infos...](#)

Technical data

Article type	Lift fitting	Cabinet width	600 mm
Height	380 mm	Suitable for	suitable for hinged doors and lifting doors
Width	562 mm	Carrying capacity	load capacity up to 8 kg
Retrofitting possible	Yes	For sidewall thickness	16/19 mm
Mounting/Fixing	for hanging cabinets no adjustment necessary	Number of floors	1
Note	cabinet height depends on hinge position, hinge protrusion or lift fitting (see illustrations 1–4)	Soft closing	Yes
Further	suitable for retrofitting	Minimum cabinet height	with hinged door: 520 mm with use of lift fittings: 650 mm
Safety functions	finger protection		