

PRIME flow Base ventilation grid flow

Product number: 8033015

Configuration: black matt, W 150 mm, L 297 mm

Configuration options

8033014 | stainless steel coloured, W 150 mm, L 297 mm

8033015 | black matt, W 150 mm, L 297 mm

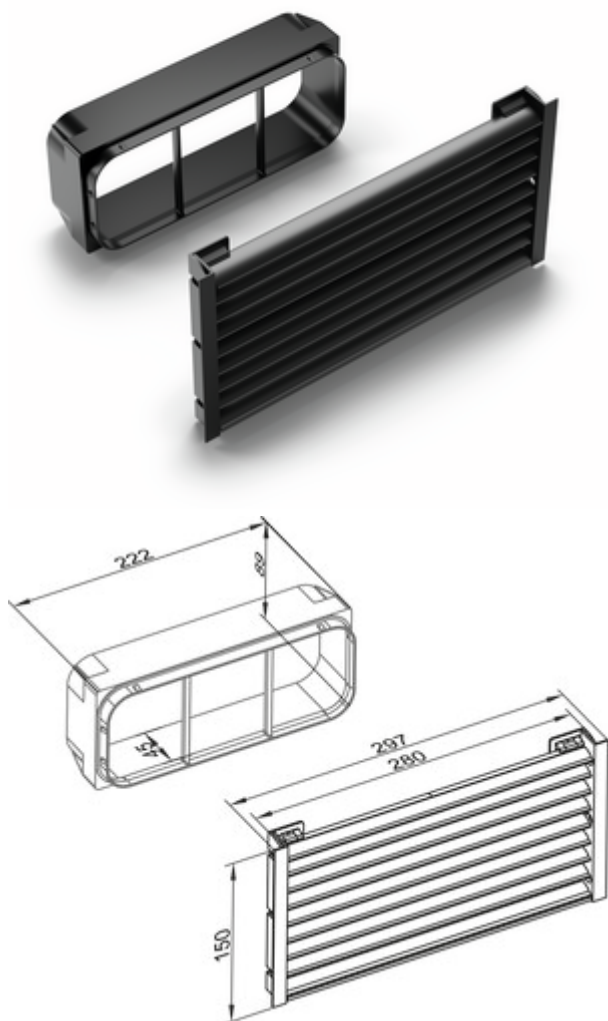
✓ Ventilation grid

Slatted ventilation grid made of anodised aluminium profiles. For ducted downdraft or hob ventilation systems with integrated activated carbon filters in recirculation mode.

Suitable for base heights of 100-150 mm (can be shortened).

For connection to COMPAIR® flow flat duct pipe or GREENflow Flex duct.

- cover dimensions 150 x 297 mm
- ventilation shaft 210 cm²
- cut-out dimensions 150 x 282 mm
- connector dimensions 89 x 222 mm
- connector depth 45 mm



[more infos...](#)

Technical data

Article type	Ventilation grid	Shape	angular
Brand	PRIME flow	Output drive	angular
Width	297 mm	Ventilation system	COMPAIR PRIME flow®
Material	aluminium		

