

Pix single socket

Product number: 7053087

Configuration: with Belgian/French socket

Configuration options

7053074 | with two-pin earthed plug

7053087 | with Belgian/French socket

7053088 | with Swiss socket

- ✓ Built-in socket element
- ✓ 1 x with Belgian/French socket
- ✓ round

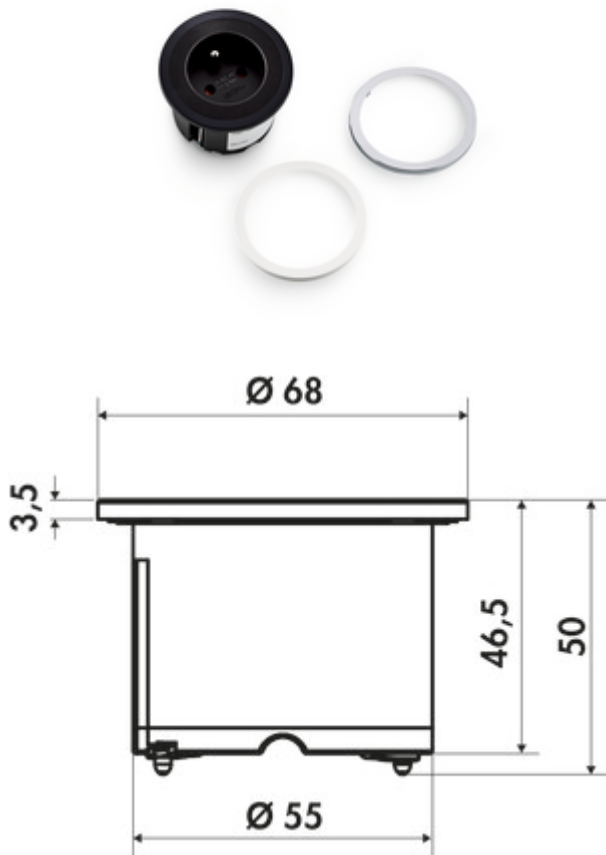
Socket element, 1-fold. Ornamental ring stainless steel coloured, black and white. For installation in worktop, front panel or side wall.

— drill \varnothing 56 mm

— installation depth ca. 45 mm

— 2000 mm mains connection line, two-pin earthed plug supplied loose (permanently installed in swiss version)

— cable outlet back



[more infos...](#)

Technical data

Article type	Socket element	Length of the supply line (primary)	2.000 mm
Height	3,5 mm	Installation depth	50 mm
Drilling diameter	56 mm	Version sockets	1 x with Belgian/French socket
Width	68 mm	Mains plug loosely enclosed	Yes
Cable outlet	cable outlet back	Colour socket	black
Mounting/Fixing	installation front panel side wall in the worktop	Type of socket element	Built-in socket element
Certification	CE	Number of sockets (total)	1
Shape	round		

Accessories

7053110 Lid, Accessory, stainless steel coloured

Recommendations

7053153 Hole saw, \varnothing 57 mm, for Pix