

## Angola 150

Product number: 1106016

Configuration: granite concrete

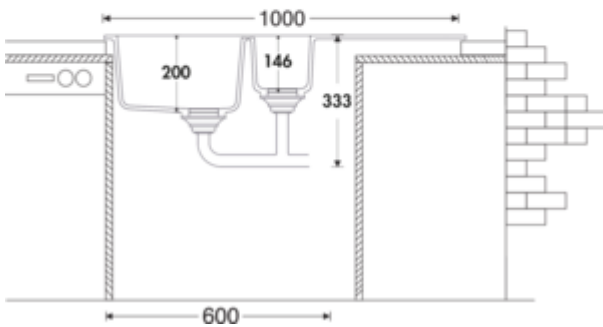
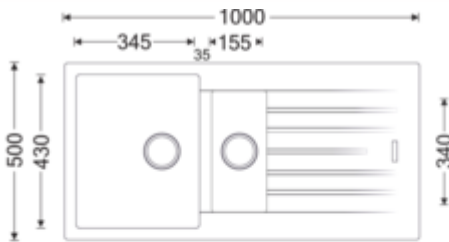
### Configuration options

- 1106011 | granite nero
- 1106012 | granite espresso
- 1106013 | granite metallico
- 1106015 | granite magnolia
- 1106016 | granite concrete
- 1106017 | granite lava
- 1106018 | granite nero assoluto

- ✓ Built-in sink
- ✓ Composite
- ✓ Eccentric set, chrome-plated

Built-in sink. Composite, with draining surface and half sink, reversible. 3½" basket strainer valve flush with rotational excenter fitting, chrome-plated. Half sink closeable.

- both sides drilled through
- suitable for worktop thicknesses from 22 mm to 44 mm
- cut-out dimensions ca. 980 x 480 mm
- **without half sink insert**
- can also be used in combination with hot water fittings (+/-100 °C)



[more infos...](#)

### Technical data

|                      |   |                                    |  |
|----------------------|---|------------------------------------|--|
| Article type         | Sink  | Depth main sink                    | 430 mm   |
| Width                | 1.000 mm  | Maximum worktop material thickness | 44 mm  |
| Material             | Composite   | Material thickness worktop minimum | 22 mm  |
| Cabinet width        | 600 mm  | Number of tap holes                | 1  |
| Suitable for         | can also be used in combination with hot water fittings (+/-100 °C) | Armature bench                     | Yes  |
| Cut-out dimension    | approx. 980 x 480 mm  | Number of holes                    | 2  |
| Excenter fitting     | Eccentric set, chrome-plated  | Note fitting bore                  | pre-drilled  |
| Valve type           | 3½" basket strainer valve flush                                     | Arrangement sinks                  | Reversible   |
| Overflow             | Overflow in the main basin  | Number of sinks                    | 1 main sink and 1 half sink                            |
| Installation variant | Built-in sink   | Number of overflow points          | 1  |
| Height half sink     | 146 mm  | Draining board                     | With ribbed draining surface                           |
| Wide half sink       | 155 mm  | Garnish actuation                  | Chrome-plated rotary eccentric                         |
| Deep half sink       | 340 mm  | half sink                          | Yes<br>half sink closeable<br>without half sink insert |
| Main sink width      | 345 mm  |                                    |  |

### Spare Parts

|         |  |
|---------|--|
| 1106061 | Rotational excenter fitting, Drain fittings, 3½" basket strainer valve flush, for Angola 150 |
|---------|--|

## Recommendations

|         |   |
|---------|---|
| 1100402 | Gramix 1 high pressure faucet, Sink faucet, granite espresso  |
| 1100406 | Gramix 1 high pressure faucet, Sink faucet, granite concrete  |
| 1100412 | Gramix 2 high pressure faucet, Sink faucet, granite espresso  |
| 1100416 | Gramix 2 high pressure faucet, Sink faucet, granite concrete  |
| 1100401 | Gramix 1 high pressure faucet, Sink faucet, granite nero      |
| 1100405 | Gramix 1 high pressure faucet, Sink faucet, granite magnolia  |
| 1100413 | Gramix 2 high pressure faucet, Sink faucet, granite metallico |
| 1100403 | Gramix 1 high pressure faucet, Sink faucet, granite metallico |
| 1100411 | Gramix 2 high pressure faucet, Sink faucet, granite nero      |
| 1100003 | Care set Cin-Nagranit, Accessory, set 3-part                  |
| 1100407 | Gramix 1 high pressure faucet, Sink faucet, graniete lava     |
| 1100417 | Gramix 2 high pressure faucet, Sink faucet, granite lava      |



Installation dimensions (PDF)

