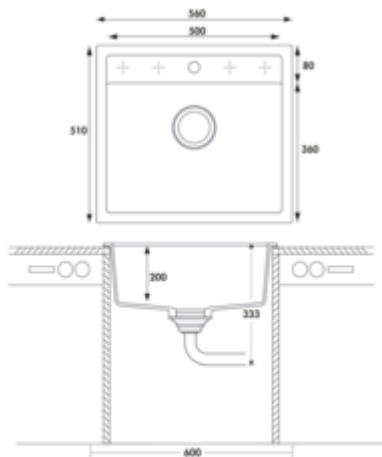


## Angola 56

Product number: 1106026

Configuration: granite concrete



### Configuration options

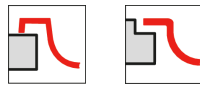
- 1106021 | granite nero
- 1106022 | granite espresso
- 1106023 | granite metallico
- 1106025 | granite magnolia
- 1106026 | granite concrete
- 1106027 | granite lava
- 1106028 | granite nero assoluto

- ✓ Built-in sink
- ✓ Flush mounted sink
- ✓ Composite

Built-in sink. Composite, single bowl. 3½" basket strainer valve flush with rotational ex-center fitting, chrome-plated. 5 pre-drilled holes, **drill holes must be completed during assembly.**

#### Also suitable for flush installation.

- suitable for worktop thicknesses from 22 mm to 44 mm
- cut-out dimensions ca. 545 x 495 mm (built-in sink)
- can also be used in combination with hot water fittings (+/-100 °C)



[more infos...](#)

### Technical data

Article type	Sink	Main sink width	500 mm
Height	327,5 mm	Height main sink	200 mm
Width	560 mm	Depth main sink	360 mm
Material	Composite	Maximum worktop material thickness	44 mm
Cabinet width	600 mm	Material thickness worktop minimum	22 mm
Suitable for	can also be used in combination with hot water fittings (+/-100 °C)	Armature bench	Yes
Cut-out dimension	approx. 545 x 495 mm (built-in sink)	Number of holes	5 pre-drilled holes drill holes must be completed during assembly
Excenter fitting	Eccentric set	Note fitting bore	pre-drilled
Valve type	3½" basket strainer valve flush	Number of sinks	1 main sink
Overflow	Overflow in the main basin	Number of overflow points	1
Installation variant	Built-in sink Flush mounted sink	Garnish actuation	Chrome-plated rotary eccentric

**Spare Parts**

1106062	Rotational excenter fitting, Drain fittings, 3½" basket strainer valve flush, for Angola 56
1106065	Strainer basket insert manually operated, Accessory, for Singoli 600, Angola 56



Installation dimensions (PDF)

