

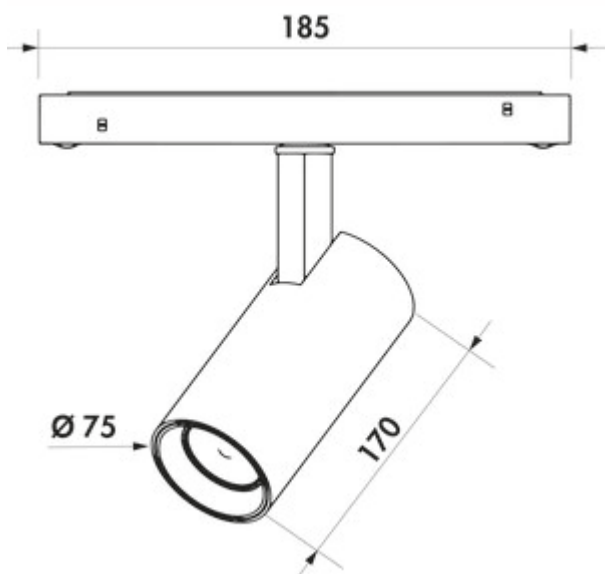
## Easytrack Spot

Product number: 7065070

Configuration: black matt

### Configuration options

7065070 | black matt



✓ 2700 K warm white to 6000 K cold white

✓ 8.5 watts

Spot for Easytrack track. Powder-coated aluminium housing.

— 8.5 Watt, 48 VDC

— continuous adjustment of light colour from 2700 K warm white to 6000 K cool white

— very high quality of light thanks to colour rendering index >90

— max. 92 lumen/watt at 6000 K cool white

— can be rotated and swivelled

— ideal for accentuation or useful light

— light angle 24°

— with integrated ZigBee 3.0 control unit This product contains an energy efficiency class F light source. Tool-free click-in mounting in the track. Held in place by magnet or additional mechanical lock!



[more infos...](#)

### Technical data

Article type	Luminaire	Surface/coating	powder coated
Width	48 mm	Intended use	ideal for accentuation or useful light
Material	aluminium	Illuminant included	Yes
Energy efficiency class	F	Colour temperature	2700 K warm white to 6000 K cold white
Mains voltage	48 VDC	Illuminant type	LED
Properties	rotatable Swivelling	Light yield	max. 92 lumen/watt at 6000 K cold white
Mounting/Fixing	tool-free click-in installation in the track held in place by a mechanical locking	Radiation angle	24°
Certification	CE	Illuminant power	8.5 watts