

Cox® Base 360 S/500-2 with Base-Board

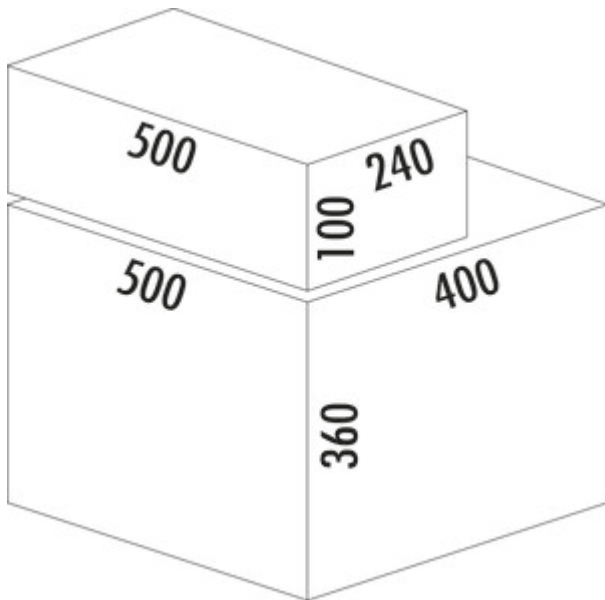
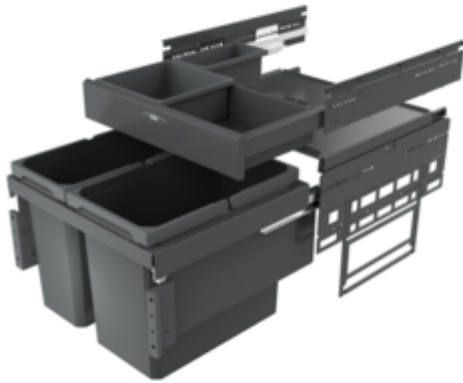
Product number: 8013370

Configuration: anthracite, H 460 mm

Configuration options

8012370 | light grey, H 460 mm

8013370 | anthracite, H 460 mm



- ✓ Front pull-out system
- ✓ full pull-out
- ✓ 38 l
- guide rail depth 470 mm
- waste capacity 38 (1 x 16/1 x 22) liters
- technology: full pull-out
- fitting: cabinet wall and front panel
- with soft retraction and damping
- 1 x 2.7 l and 1 x 1.2 l storage boxes and 4 brackets included

[more infos...](#)

Technical data

Article type	Waste collection system	Volume/content container 1	22 l
Height	460 mm	Volume/content container 2	16 l
Width	500 mm	Soft closing	Yes
CE marking on the product	No	Design	Front pull-out system
Mounting/Fixing	cabinet wall front panel	Volume/Content container	22/16
Cabinet width	500 mm	Number of containers in additional drawer	2
Shape	angular	Guide rail depth	470 mm
Material container	plastic	Volume/capacity drawer container 1	2.7 l
Number of containers	2	Volume/capacity drawer container 2	1,2 l
Opening technology	full pull-out	Locking mechanism	With damper
Total volume	38 l		

Accessories

8012367	Cox Cick®, Accessory, dark grey/chrome matt
---------	---------------------------------------------

Spare Parts

8010145	Complete lid, Accessory, silver
---------	---------------------------------

8012321	Cox® system container, Single bucket, light grey, 16 liters
---------	-------------------------------------------------------------

8012322	Cox® system container, Single bucket, light grey, 22 liters
---------	-------------------------------------------------------------

Installation dimensions (PDF)

Pos.	Abbildung	Menge	Bezeichnung	Artikel-Nr.	Material	RAL
1		1	Coverplatte anthrazit 500	801 3146	DC01/DC012	7012
2		2	Montageplatte Cox Base Board anthrazit	801 3020	ABS	7012
3		2	Schiene Grass Nova pro 450 L	801 0026	Stahl verzinkt	
4		2	Schiene Grass Nova pro 450 R	801 0026	Stahl verzinkt	
5		1	Rahmen anthrazit 500, 400, 200	801 3147	DC01	7012
6		1	Endkappe anthrazit 6 L	801 3321	PP + PA6 GF 30%	7012
7		1	Abdeckung L anthrazit	801 3161	PA 6	7012
8		1	Frontpanel L	801 0150	Stahl verzinkt	
9		1	Frontpanel R	801 0150	Stahl verzinkt	
10		1	Abdeckung R anthrazit	801 3161	PA 6	7012
11		4	Mutter		Stahl verzinkt	
12		4	Knobfestschraube		Stahl verzinkt	
13		4	Arretierungsschraube	801 0155	Zink-Druckguß	
14		1	Außenwählgangbox 1,2 L	801 3363	PP	7012
15		1	Schublade 500 anthrazit		DC01 A	7012
16		1	Außenwählgangbox 2,7 L	801 3362	PP	7012
17		4	Halierung für Außenwählgangbox	801 2364	DK51 0-20/AC	Zink
18		2	Microschalter anthrazit	801 3007	ABS	7012
19		1	Endschalter anthrazit 22 L	801 3322	PP + PA6 GF 30%	7012

Kundenzusatzung

Material: 801 13370

Produktionsjahr: 2012

MAKING IT BETTER

Customer support and technical assistance are available at any time via our website: www.naber.com

Customer service: 092 031 19

Customer service: 092 031 19

Customer service: 092 031 19

Naber

Customer service: 092 031 19

Customer service: 092 031 19

Customer service: 092 031 19