

PRIME flow GREENflow filter box

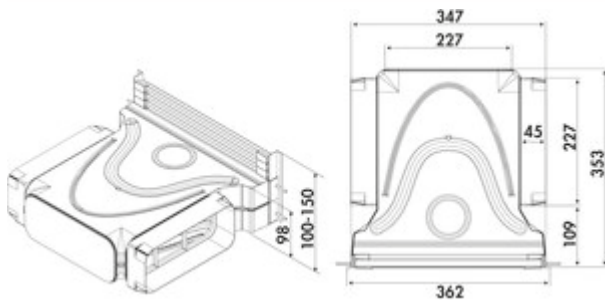
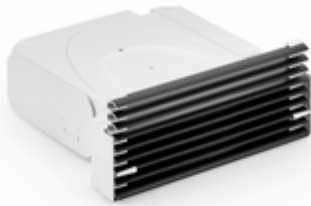
Product number: 4043097

Configuration: black matt

Configuration options

4043075 | grey

4043097 | black matt



- ✓ Filter box
- ✓ simple maintenance/access

Recirculating air filter system for filtration of cooking vapours when using a downdraft hood/hob ventilator.

- high flexibility in the positioning of the filter boxes
- suitable for base heights from 100–150 mm (grid can be shortened)
- guide vanes provide for uniform distribution of the air flow
- suitable for almost all common downdraft hoods/ hob ventilators, with or without own activated carbon filter
- simple maintenance/access
- integrated base foot (optionally usable, load capacity up to 300 kg)
- aerodynamically optimised blades of the ventilation grid (anodised aluminium) minimise the pressure loss
- maximum outlet cross-section provides for barely perceptible air movement

Note:

The GREENflow OMEGA filter needs to be ordered separately if required.

For good ventilation results, the use of at least two boxes is recommended.

[more infos...](#)

Technical data

Article type	Filter box	System dimension	150
Brand	PRIME flow	Ventilation system	COMPAIR PRIME flow [®]
Note	The GREENflow OMEGA filter needs to be ordered separately if required. For good ventilation results, the use of at least two boxes is recommended.		
Suitable for	suitable for almost all common downdraft hoods/ hob ventilators, with or without own activated carbon filter		
Maintenance	simple maintenance/access		

Accessories

4043080	GREENflow OMEGA filter, Exhaust air accessorie, black
4043076	GREENflow flexi-duct, Hose, L 3000 mm
4043077	GREENflow cold shrink tape, Adhesive tape, L 15 m

