

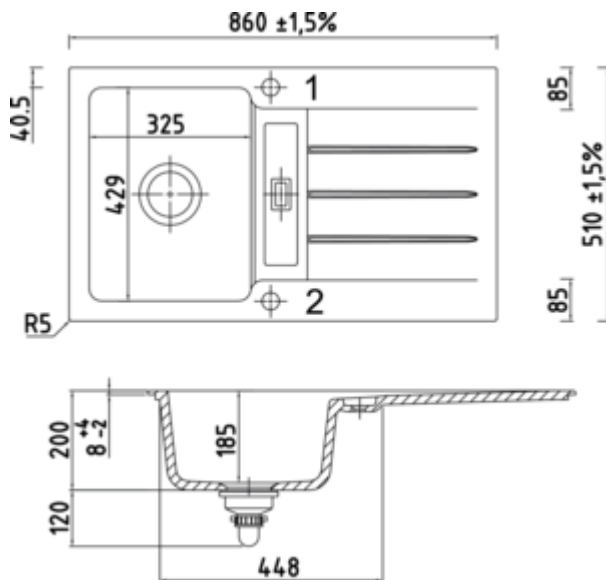


LineUP 1E

Product number: 1091051
Configuration: white glossy

Configuration options

1091051 | white glossy
1091052 | slate
1091053 | nero
1091054 | lava
1091055 | white matt



- ✓ Built-in sink
- ✓ ceramic
- ✓ Eccentric set, chrome-plated

Built-in sink. Ceramic, single bowl with draining surface, reversible, 3½" basket strainer valve flush with premium rotational excenter fitting, chromed, drill hole 1 + 2 drilled through.

- suitable for worktop thicknesses from 30 mm
- cut-out approx. 830 x 480 mm, R 5 mm

Design by Hans Winkler Design, Grafenau.



[more infos...](#)

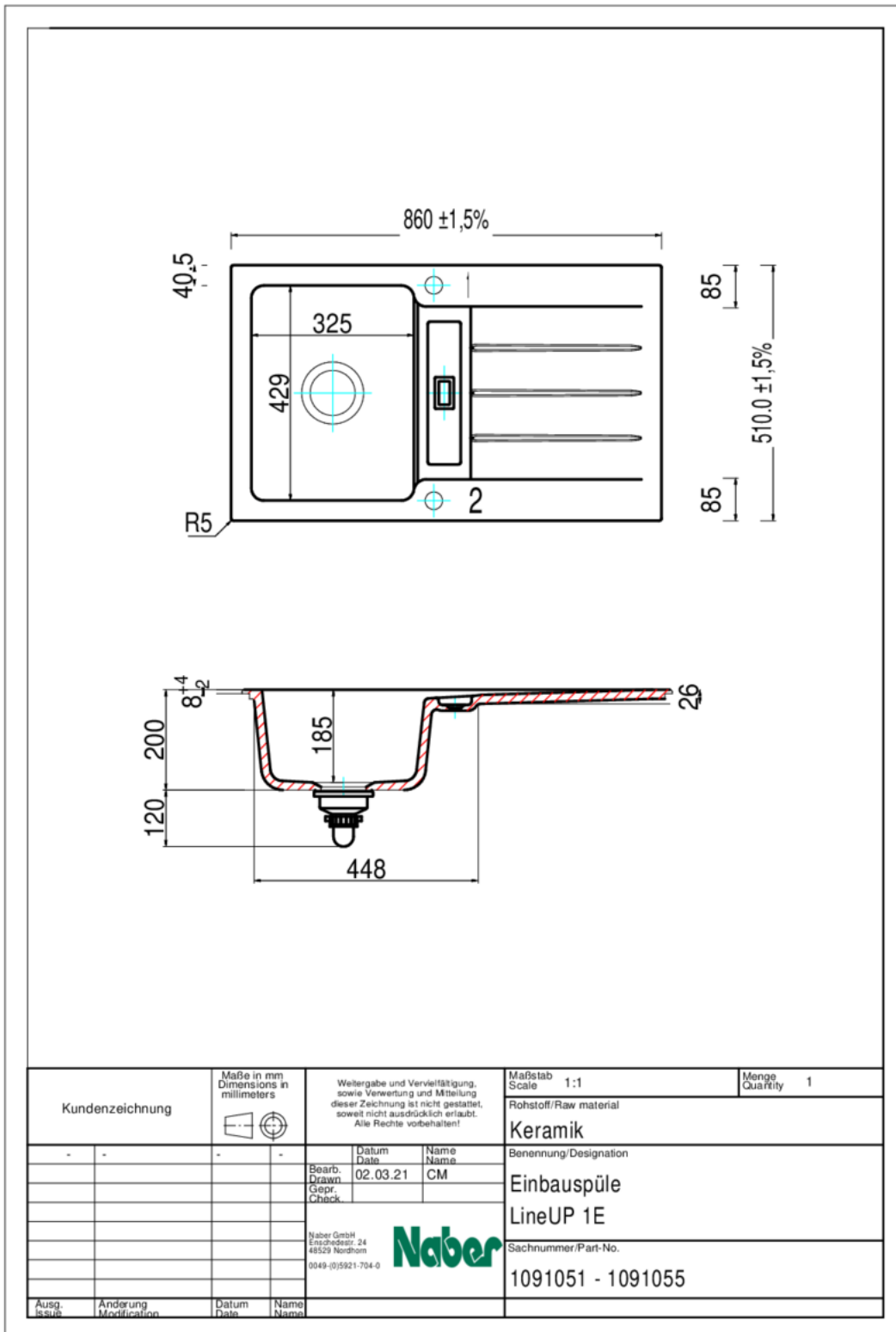
Technical data

Article type	Sink	Height main sink	185 mm
Height	320 mm	Depth main sink	429 mm
Width	860 mm	Flushing radius (R)	5
Material	ceramic	Material thickness worktop minimum	30 mm
Designer	Design by Hans Winkler Design, Grafenau.	Number of tap holes	1
Cabinet width	500 mm	Armature bench	Yes
Cut-out dimension	approx. 830 x 480 mm, R 5 mm	Number of holes	2
Surface/coating	glossy	Arrangement sinks	Reversible
Excenter fitting	Eccentric set, chrome-plated	Number of sinks	1 main sink
Valve type	3½" basket strainer valve flush	Number of overflow points	1
Overflow	Overflow in the drainer	Draining board	With ribbed draining surface
Installation variant	Built-in sink	Garnish actuation	Chrome-plated rotary eccentric
Main sink width	325 mm		

Recommendations

5011308	Mio 3, Sink faucet, chrome, high-pressure
1091027	Premium rotational excenter, Accessory, nero
1091036	Premium rotational excenter, Accessory, chrome
1091037	Premium rotational excenter, Accessory, stainless steel

Dimensional sketch (PDF)



Installation dimensions (PDF)

