

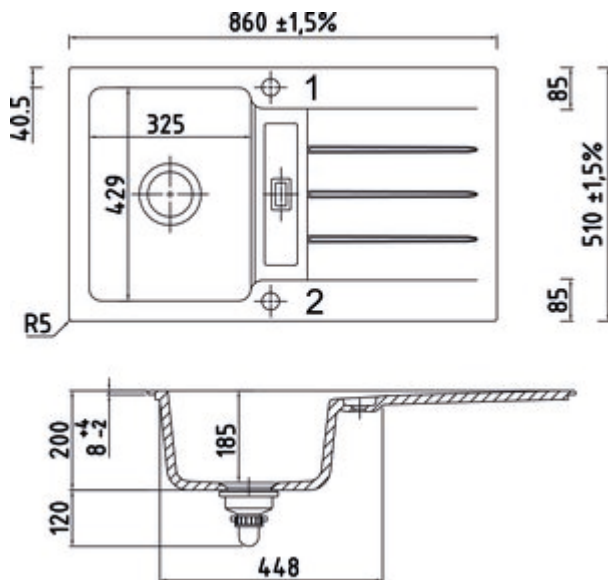


## LineUP 1E

Product number: 1091051  
Configuration: white glossy

### Configuration options

1091051 | white glossy  
1091052 | slate  
1091053 | nero  
1091054 | lava  
1091055 | white matt



- ✓ Built-in sink
- ✓ ceramic
- ✓ Eccentric set, chrome-plated

Built-in sink. Ceramic, single bowl with draining surface, reversible, 3½" basket strainer valve flush with premium rotational excenter fitting, chromed, drill hole 1 + 2 drilled through.

- suitable for worktop thicknesses from 30 mm
- cut-out approx. 830 x 480 mm, R 5 mm

Design by Hans Winkler Design, Grafenau.



[more infos...](#)

### Technical data

Article type	Sink	Height main sink	185 mm
Width	860 mm	Depth main sink	429 mm
Material	ceramic	Flushing radius (R)	10
Designer	Design by Hans Winkler Design, Grafenau.	Material thickness worktop minimum	30 mm
Cabinet width	500 mm	Number of tap holes	1
Cut-out dimension	approx. 830 x 480 mm, R 5 mm	Armature bench	Yes
Surface/coating	glossy	Number of holes	2
Excenter fitting	Eccentric set, chrome-plated	Arrangement sinks	Reversible
Valve type	3½" basket strainer valve flush	Number of sinks	1 main sink
Overflow	Overflow in the drainer	Number of overflow points	1
Installation variant	Built-in sink	Draining board	With ribbed draining surface
Main sink width	325 mm	Garnish actuation	Chrome-plated rotary eccentric

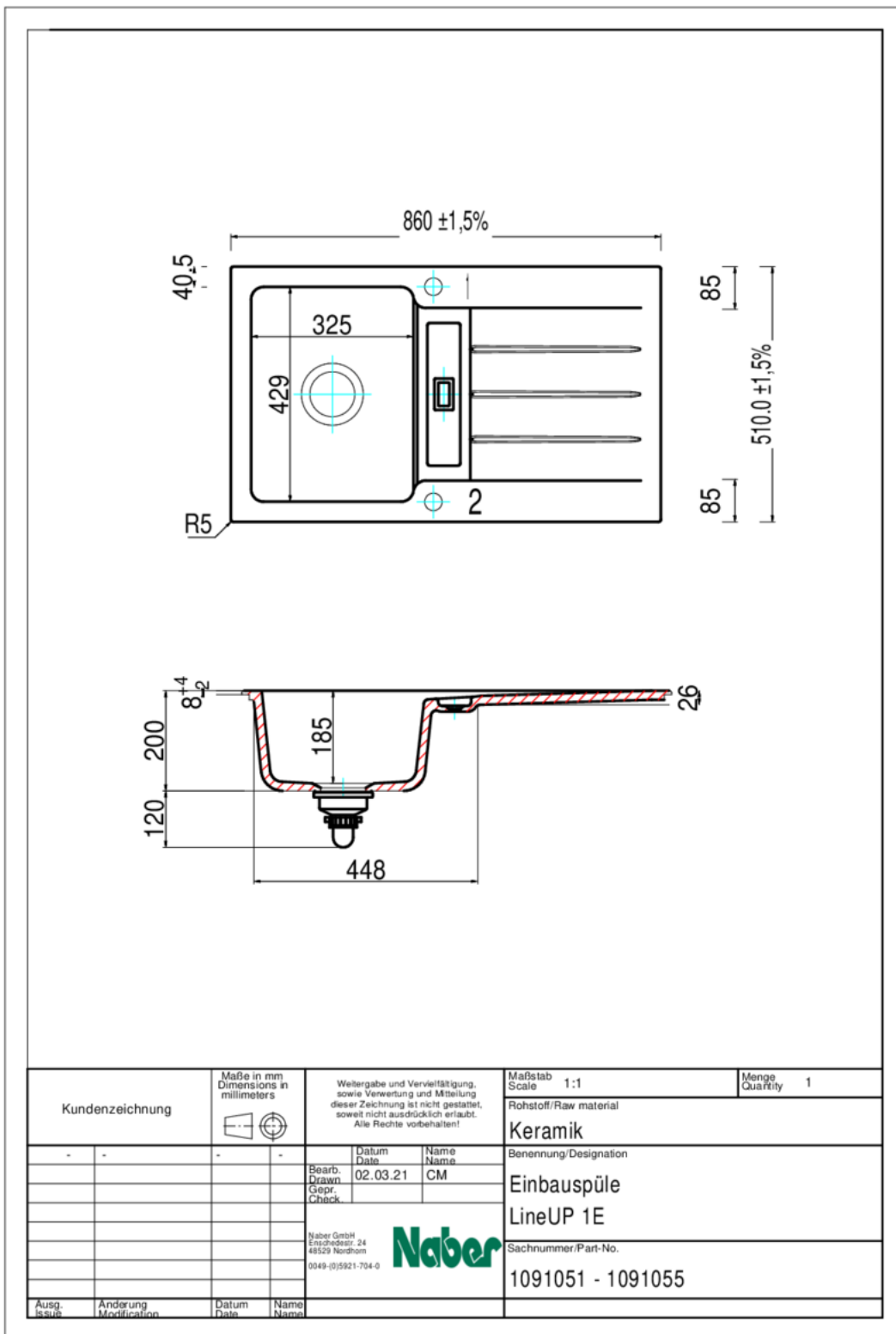
### Accessories

1091038 Bowl insert, Accessory, stainless steel

### Recommendations

5011308 Mio 3, Sink faucet, chrome, high-pressure

Dimensional sketch (PDF)



Installation dimensions (PDF)

