

Quadra

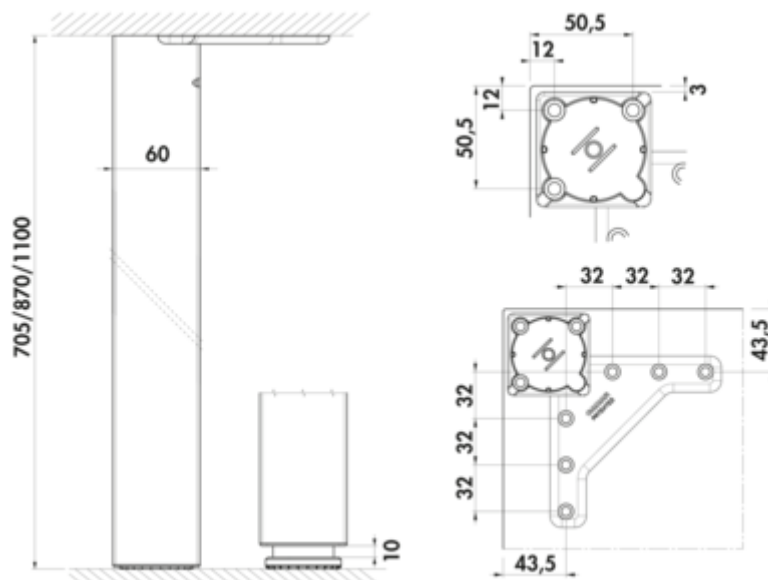


Product number: 3011098
 Configuration: matt black pearly, H 1100 mm

Configuration options

- 3011093 | stainless steel coloured, H 705 mm
- 3011094 | matt black pearly, H 705 mm
- 3011095 | stainless steel coloured, H 870 mm
- 3011096 | matt black pearly, H 870 mm
- 3011097 | stainless steel coloured, H 1100 mm
- 3011098 | matt black pearly, H 1100 mm

- ✓ Support foot
 - ✓ square
 - ✓ straight
- Supporting foot, square, may not be shortened.
- height plus 10 mm height adjustment
 - 60 x 60 mm
 - can be mounted flush to corner/centrally
 - load-bearing capacity ca. 150 kg



[more infos...](#)

Technical data

Article type	Support foot	Shape	square
Height	1.100 mm	With mounting plate	Yes
Width	60 mm	Carrying capacity	ca. 150 kg
Properties	cannot be shortened	Tube dimension	60 x 60 mm
Mounting/Fixing	flush with the corner possible in the middle	Height adjustment	10 mm
Surface/coating	pearly	Support element version	straight

Dimensional sketch (PDF)

