

Butler sink double bowl

Product number: 1094051

Configuration: white glossy

Configuration options

1094051 | white glossy

1094067 | graphite

1094079 | pure black

- ✓ Sink
- ✓ ceramic
- ✓ Eccentric set, chrome-plated

Butler sink, ceramic. Double bowl incl. half bowl, crystal clear. 3½" basket strainer valve flush, rotational excenter fitting, chrome-plated, turning knob stainless steel coloured and attachment set for installation on a floor cabinet.

— the back of the sink is unglazed and provided with two mounting holes

— sink is delivered with 2 drill holes (1 + 2)

— **Please state if no drill hole is required.**

— **with half bowl insert**



[more infos...](#)

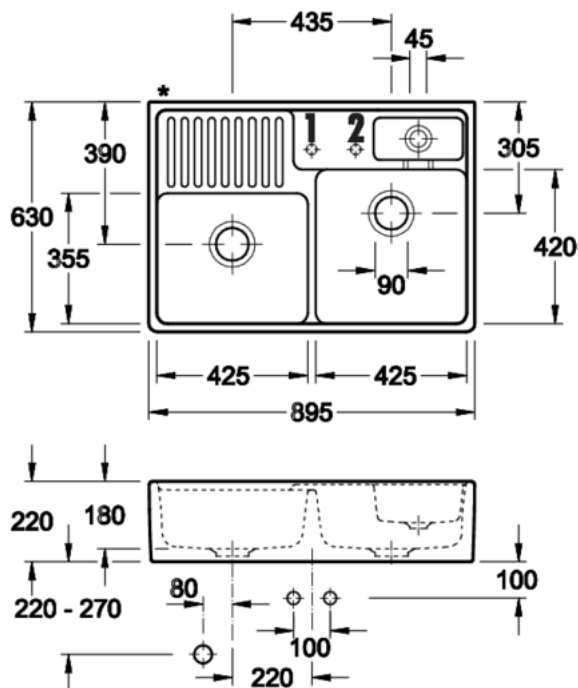
Technical data

Article type	Sink	Wide half sink	425 mm
Height	220 mm	Deep half sink	355 mm
Width	895 mm	Main sink width	425 mm
Material	ceramic	Height main sink	180 mm
Note	the back of the sink is unglazed and provided with two mounting holes	Depth main sink	420 mm
Cabinet width	900 mm	Number of tap holes	1
Surface/coating	glossy	Armature bench	Yes
Consisting of	Double bowl incl. half bowl 3½" basket strainer valve flush rotational excenter fitting, chrome-plated, turning knob stainless steel coloured attachment set for installation on a floor cabinet	Number of holes	sink is delivered with 2 drill holes (1 + 2) please state if no drill hole is required
Excenter fitting	Eccentric set, chrome-plated	Number of sinks	2 main sink
Valve type	3½" basket strainer valve flush	Draining board	With ribbed draining surface
Overflow	without overflow	Garnish actuation	Chrome-plated rotary eccentric, stainless steel coloured rotary handle
Installation variant	Sink	half sink	with half sink insert
Height half sink	180 mm		

Recommendations

1094066 Hole drilling, Accessory, Ø 35 mm

Dimensional sketch (PDF)



Zul. Abw. f. Maße ohne Toleranzangabe General tolerances DIN ISO 2768m		Maße in mm Dimensions in millimeters		Weitergabe und Verantwortlichg. sowie Verwertung und Mittelung dieser Zeichnung ist nicht gestattet, soweit nicht ausdrücklich erlaubt. Alle Rechte vorbehalten!		Maßstab Scale 1:1		Menge Quantity 1	
						Rohstoff/Raw material Keramik			
				Datum Date 10.04.15		Name Name cg		Benennung/Designation Spülstein Doppelbecken Spülstein	
				Naber GmbH Enschedestr. 24 48529 Nordhorn 0049-(0)5921-704-0				Sachnummer/Part-No. 1094051	
Ausg. Änderung Issu. Modification		Datum Date		Name Name					