

Cox® Base 360 K/500-2 with Base-Board



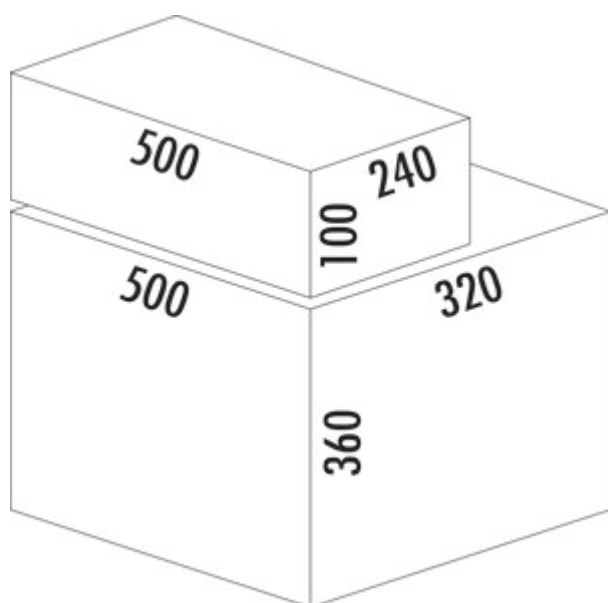
Product number: 8013801

Configuration: with bio lid, anthracite, H 460 mm

Configuration options

- 8012800 | without bio lid, light grey, H 460 mm
- 8012801 | with bio lid, light grey, H 460 mm
- 8013800 | without bio lid, anthracite, H 460 mm
- 8013801 | with bio lid, anthracite, H 460 mm

- ✓ Front pull-out system with additional drawer
- ✓ full pull-out
- ✓ 27.5 l
 - guide rail depth 470 mm
 - waste capacity 27.5 (1 x 15.5/1 x 12) liters
 - technology: full pull-out
 - fitting: cabinet wall and front panel
 - with soft retraction and damping
 - installation depth 320 mm
 - 1 x 2.7 l and 1 x 1.2 l storage boxes and 4 brackets included



[more infos...](#)

Technical data

Article type	Waste collection system	Volume/content container 2	12 l
Width	500 mm	Soft closing	Yes
CE marking on the product	No	Colour container lid	anthracite/green
Mounting/Fixing	cabinet wall front panel	Design	Front pull-out system with additional drawer
Cabinet width	500 mm	Volume/Content container	15,5/12
Shape	angular	Organic lid	Yes
Installation depth	320 mm	Number of containers in additional drawer	2
Material container	plastic	Guide rail depth	470 mm
Cover	Yes	Volume/capacity drawer container 1	2,7 l
Number of containers	2	Volume/capacity drawer container 2	1,2 l
Opening technology	full pull-out	Biode lid bucket sizes	12 l
Total volume	27,5 l	Locking mechanism	With damper
Volume/content container 1	15,5 l		

Accessories

8012343	Bio-lid, Accessory, light grey, for 7.5/ 9/ 12 liters
---------	---

Spare Parts

8012333	Cox® system container, Single bucket, light grey, 12 liters
8012334	Cox® system container, Single bucket, light grey, 15,5 liters
8011178	Bio-filter retrofitting set, Accessory, black
8012364	Bracket for storage box, Accessory, silver
8013333	Cox® system container, Single bucket, anthracite, 12 liters
8013345	Complete lid, Accessory, anthracite

Installation dimensions (PDF)

